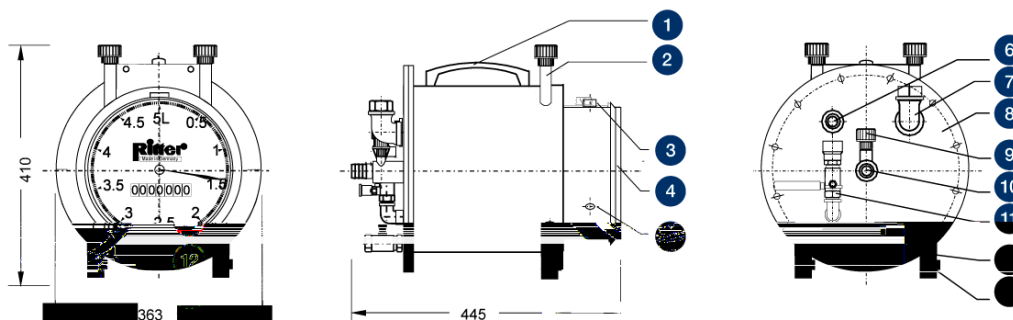


DRUM-TYPE GAS METERS TG 5 STAINLESS STEEL • DATA-SHEET



Legend

+

- | | | |
|-------------------------|--|---------------------------------|
| 1. Handle | 2. Support for:
thermometer
(gas)
thermometer
(packing fl.)
manometer | 3. Level |
| 9. Manometer connection | 10. Gas inlet | 4. Removable cover |
| 12. Drainage faucet | 13. Levelling foot | 5. Puls generator port (option) |
| | | 6. Gas outlet |
| | | 7. Filling nozzle |
| | | 8. Removable rear plate |
| | | 11. Filling level indicator |

Performance Data

Minimum flow Q_{\min}	10 ltr/h	Maximum gas inlet pressure ⁽¹⁾	500 mbar
Standard flow Q_{standard}	500 ltr/h	Minimum differential pressure ⁽²⁾	0.2 mbar
Maximum flow Q_{\max}	600 ltr/h	Minimum dial division	0.02 ltr
Measurement accuracy at standard flow	0.2 %	Maximum indication value ⁽³⁾	99,999,999 ltr
Measurement accuracy across measuring range	0.5 %	Connection gas in/outlet	hose barb
Measuring drum volume	5 ltr/U	Inside-Ø hose barb	
Packing liquid quantity, approx	11 ltr	Outside-Ø hose barb	14 mm

⁽¹⁾ Standard version: 500 mbar – special version also available for 1 bar

⁽²⁾ Differential pressure (= pressure loss) gas inlet gas outlet

⁽³⁾ Standard Totalizing Roller Counter

Models (materials)

Model	Casing	Measuring drum	Width	Height	Depth	Weight (without packing liquid)	Max. constant use temperature
1	Stainless Steel	PVC-grey	363 mm	410 mm	445 mm	15.0 kg	40 °C
2	Stainless Steel	PE-el	363 mm	410 mm	445 mm	14.8 kg	60 °C

Model	Casing	Measuring drum	Width	Height	Depth	Weight (without packing liquid)	Max. constant use temperature
3	Stainless Steel	PP-grey	363 mm	410 mm	445 mm	14.8 kg	80 °C
4	Stainless Steel	PVDF	363 mm	410 mm	445 mm	15.2 kg	80 °C

Caution

Before and after measurements with **oxygen** purge the meter with an inert gas to avoid the danger of **explosion!**

For chemical resistance properties please contact your RITTER distribution partner!

Standard Equipment

- > 8-digit Totalizing Roller Counter
- > Bubble level for levelling
- > Level and Levelling Feet
- > Magnetic Coupling (between the measuring drum and counting mechanism) , for an absolutely liquid-tight casing
- > Multi-Chamber Measuring Drum
- > Supports for Thermometer and Manometer
- > Viton sealing

Built-in Options

- > Pulse Generator , standard or Ex-proof version (for connecting Electronic Display Unit/Computer
- > LCD Display , resettable, 8-digit (replaces Totalizing Roller Counter)
- > High Precision Packing Liquid Level Indicator »HPLI« , for packing liquid level

Accessories

- > Data Acquisition Software »RIGAMO« , (for Windows)
- > Thermometer Gas (TG) , measuring range 0 °C to +60 °C
- > Thermometer Packing Liquid (TG) , measuring range 0 °C to +60 °C
- > Manometer for pressure $p_{max} \leq 1$ bar , measuring range 0-600 mbar / 0-1 bar
- > Electronic Display Unit »EDU 32 FP« , displays volume and calculates flow rate via RS232 and analog-output in realtime (pulse generator required)

V 3.0 / Rev. 2019-01-11 / Subject to alterations.

The most recent version of this data-sheet can be found at <https://www.ritter.de/en/data-sheets/tg-5-stainless-steel/>

Dr.-Ing. RITTER Apparatebau GmbH & Co. KG · Coloniastrasse 19-23 · D-44892 Bochum · Germany

For questions please contact mailbox@ritter.de or your any local distributor at <https://www.ritter.de/en/worldwide/>