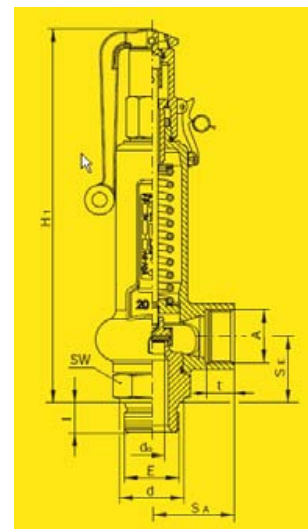


ACCESSORIES

SAFETY VALVE – CLOSED COMPLETION • DATA-SHEET



Suitable for:	RITTER Drum-type Gas Meters and Bellows-type Gas Meters
Gases:	toxic
Set pressure:	type 1: 50 mbar type 2: 500 mbar type 3: 1 bar
Maximum flow rate: (with air at 0°C)	type 1: 5 Nm³/h type 2: 11 Nm³/h type 3: 17 Nm³/h
Material:	1.4571 / 1.4581
Function:	spring loaded
Connection:	pipe connection
Operating temperature: (1)	-60 °C to +280 °C
Installation position:	vertical
Sealing:	Viton



(1) Please mind the temperature range of the gas meter!

Caution:

If the pressure will exceed the above-mentioned set pressure, the safety valve will open. However, if the flow rate from the gas source exceeds the above-mentioned max. flow rate, the valve would not be able to vent the meter quickly enough.

This would built-up a pressure inside of the meter and may destroy the gas meter despite of the opened valve!

Inlet				Outlet			Dimensions					Set pressure	Weight
E	S _E	d	l	A	S _A	t	H ₁	H ₂	H ₃	SW	d ₀	p	
	mm	mm	mm	G	mm	mm	mm	mm	mm	mm	mm	bar	kg
G 3/4	34	32	16	1/2	40	14	200	205	185	32	16	0.05 / 0,5 / 1	1

V 1.0 / Rev. 2019-01-31 / Subject to alterations.

The most recent version of this data-sheet can be found at <https://www.ritter.de/en/data-sheets/safety-valve-closed-completion/>

Dr.-Ing. RITTER Apparatebau GmbH & Co. KG · Coloniastrasse 19-23 · D-44892 Bochum · Germany

For questions please contact mailbox@ritter.de or your any local distributor at <https://www.ritter.de/en/worldwide/>