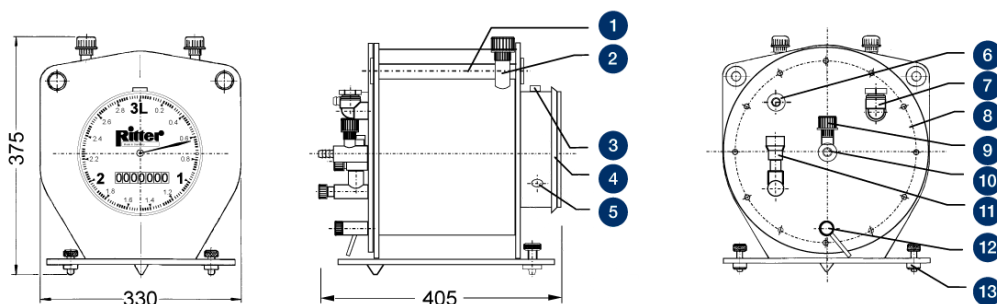


DRUM-TYPE GAS METERS TG 3 PLASTIC • DATA-SHEET



Legend +

- 1. Handle
- 2. Support unit for:
 - Thermometer (gas)
 - Thermometer (packing liquid)
 - Manometer
- 3. Level
- 4. Removable cover
- 5. Pulse generator port (option)
- 6. Gas outlet
- 7. Filling nozzle
- 8. Removable rear plate
- 9. Manometer connection
- 10. Gas inlet
- 11. Filling level indicator
- 12. Drainage faucet
- 13. Levelling foot

Performance Data

Minimum flow Q_{\min}	6 ltr/h	Maximum gas inlet pressure	50 mbar
Standard flow Q_{standard}	300 ltr/h	Minimum differential pressure ⁽¹⁾	0.2 mbar
Maximum flow Q_{\max}	360 ltr/h	Minimum dial division	0.02 ltr
Measurement accuracy at standard flow	± 0.2 %	Maximum indication value ⁽²⁾	99,999,999 ltr
Measurement accuracy across measuring range	± 0.5 %	Connection gas in/outlet	hose barb
		Inside-Ø hose barb	
Measuring drum volume	3 ltr/U	Outside-Ø hose barb	16 mm
Packing liquid quantity, approx	5.8 ltr		

⁽¹⁾ Differential pressure (= pressure loss) gas inlet gas outlet

⁽²⁾ Standard Totalizing Roller Counter

Models (materials)

Model	Casing	Measuring drum	Width	Height	Depth	Weight (without packing liquid)	Max. constant use temperature
5	PVC-transparent	PVC-grey	330 mm	375 mm	405 mm	6.3 kg	40 °C
6	PP-grey	PP-grey	330 mm	375 mm	405 mm	4.5 kg	80 °C
7	PVDF	PVDF	330 mm	375 mm	405 mm	8.1 kg	80 °C
8	PE-el	PE-el	330 mm	375 mm	405 mm	4.5 kg	60 °C

Caution

Before and after measurements with **oxygen** purge the meter with an inert gas to avoid the danger of **explosion!**

For chemical resistance properties please contact your RITTER distribution partner!

Standard Equipment

- > 8-digit Totalizing Roller Counter
- > Bubble level for levelling
- > Level and Levelling Feet
- > Magnetic Coupling (between the measuring drum and counting mechanism) , for an absolutely liquid-tight casing
- > Multi-Chamber Measuring Drum
- > Supports for Thermometer and Manometer
- > Viton sealing

Built-in Options

- > Pulse Generator , standard or Ex-proof version (for connecting Electronic Display Unit/Computer)
- > LCD Display , resettable, 8-digit (replaces Totalizing Roller Counter)
- > High Precision Packing Liquid Level Indicator »HPLI« , for packing liquid level

Accessories

- > Data Acquisition Software »RIGAMO« , (for Windows)
- > Thermometer Gas (TG) , measuring range 0 °C to +60 °C
- > Thermometer Packing Liquid (TG) , measuring range 0 °C to +60 °C
- > Manometer for pressure $p_{max} \leq 50$ mbar , measuring range 0-10 / 0-20 / 0-50 mbar
- > Electronic Display Unit »EDU 32 FP« , displays volume and calculates flow rate via RS232 and analog-output in realtime (pulse generator required)

V 2.1 / Rev. 2019-02-27 / Subject to alterations.

The most recent version of this data-sheet can be found at <https://www.ritter.de/en/data-sheets/tg-3-plastic/>

Dr.-Ing. RITTER Apparatebau GmbH & Co. KG · Coloniastrasse 19-23 · D-44892 Bochum · Germany

For questions please contact mailbox@ritter.de or your any local distributor at <https://www.ritter.de/en/worldwide/>