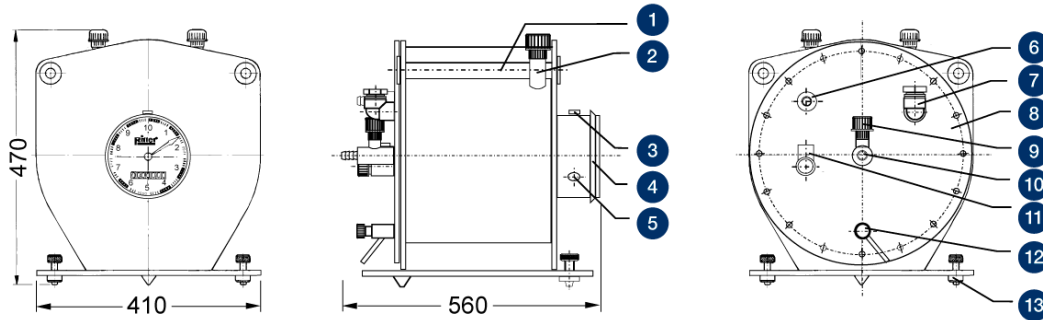


DRUM-TYPE GAS METERS TG 10 PLASTIC • DATA-SHEET



Legend +

1. Handle
2. Support unit for:
 Thermometer (gas)
 Thermometer (packing liquid)
 Manometer
3. Level
4. Removable cover
5. Pulse generator port (option)
6. Gas outlet
7. Filling nozzle
8. Removable rear plate
9. Manometer connection
10. Gas inlet
11. Filling level indicator
12. Drainage faucet
13. Levelling foot

Performance Data

Minimum flow Q_{\min}	20 ltr/h	Maximum gas inlet pressure	50 mbar
Standard flow Q_{standard}	1,000 ltr/h	Minimum differential pressure ⁽¹⁾	0.1 mbar
Maximum flow Q_{\max}	1,200 ltr/h	Minimum dial division	0.1 ltr
Measurement accuracy at standard flow	± 0.2 %	Maximum indication value ⁽²⁾	99,999,999 ltr
Measurement accuracy across measuring range	± 0.5 %	Connection gas in/outlet	hose barb
		Inside-Ø hose barb	
Measuring drum volume	10 ltr/U	Outside-Ø hose barb	25 mm
Packing liquid quantity, approx	15.5 ltr		

⁽¹⁾ Differential pressure (= pressure loss) gas inlet gas outlet

⁽²⁾ Standard Totalizing Roller Counter

Models (materials)

Model	Casing	Measuring drum	Width	Height	Depth	Weight (without packing liquid)	Max. constant use temperature
5	PVC-transparent	PVC-grey	410 mm	470 mm	560 mm	10.6 kg	40 °C
6	PP-grey	PP-grey	410 mm	470 mm	560 mm	7.8 kg	80 °C
7	PVDF	PVDF	410 mm	470 mm	560 mm	13.6 kg	80 °C
8	PE-el	PE-el	410 mm	470 mm	560 mm	7.8 kg	60 °C

Caution

Before and after measurements with **oxygen** purge the meter with an inert gas to avoid the danger of **explosion!**

For chemical resistance properties please contact your RITTER distribution partner!

Standard Equipment

- > 8-digit Totalizing Roller Counter
- > Bubble level for levelling
- > Level and Levelling Feet
- > Magnetic Coupling (between the measuring drum and counting mechanism) , for an absolutely liquid-tight casing
- > Multi-Chamber Measuring Drum
- > Supports for Thermometer and Manometer
- > Viton sealing

Built-in Options

- > Pulse Generator , standard or Ex-proof version (for connecting Electronic Display Unit/Computer)
- > LCD Display , resettable, 8-digit (replaces Totalizing Roller Counter)
- > High Precision Packing Liquid Level Indicator »HPLI« , for packing liquid level

Accessories

- > Data Acquisition Software »RIGAMO« , (for Windows)
- > Thermometer Gas (TG) , measuring range 0 °C to +60 °C
- > Thermometer Packing Liquid (TG) , measuring range 0 °C to +60 °C
- > Manometer for pressure $p_{max} \leq 50$ mbar , measuring range 0-10 / 0-20 / 0-50 mbar
- > Electronic Display Unit »EDU 32 FP« , displays volume and calculates flow rate via RS232 and analog-output in realtime (pulse generator required)

V 2.1 / Rev. 2019-01-11 / Subject to alterations.

The most recent version of this data-sheet can be found at <https://www.ritter.de/en/data-sheets/tg-10-plastic/>

Dr.-Ing. RITTER Apparatebau GmbH & Co. KG · Coloniastrasse 19-23 · D-44892 Bochum · Germany

For questions please contact mailbox@ritter.de or your any local distributor at <https://www.ritter.de/en/worldwide/>