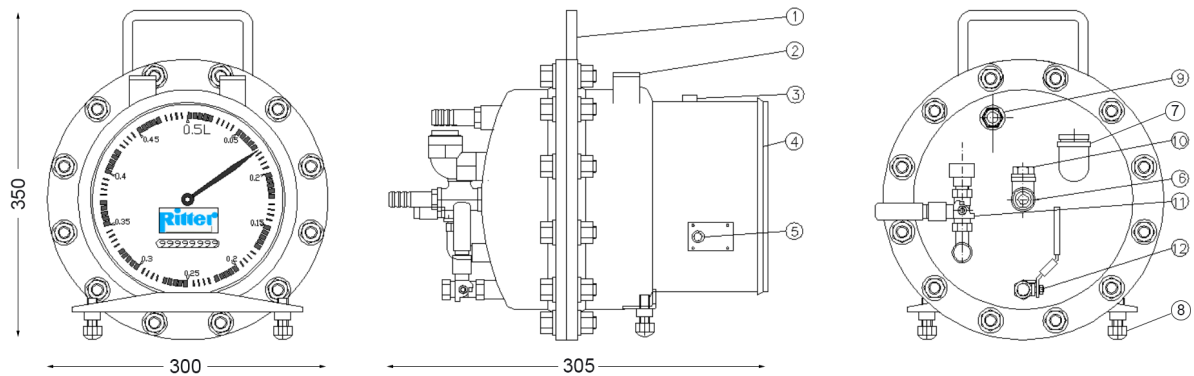


# TG 0.5 Stainless steel 6 bar

RITTER DATA SHEET



## Legend

1. Handle
2. Support unit for:
  - > Thermometer (gas)
  - > Thermometer (packing liquid)
3. Level
4. Removable cover
5. Pulse generator port (option)
6. Gas inlet
7. Filling nozzle
8. Levelling foot
9. Gas outlet
10. Manometer connection
11. Liquid level indicator
12. Drainage faucet

## Performance Data

Minimum flow $Q_{\min}$	1	ltr/h
Standard flow $Q_{\text{standard}}$	50	ltr/h
Maximum flow $Q_{\max}$	60	ltr/h
Measurement accuracy at standard flow	0.2	%
Measurement accuracy across measuring range	0.5	%
Measuring drum volume	0.5	ltr/U
Packing liquid quantity, approx	2.7	ltr
<b>Maximum gas inlet pressure</b>	<b>6</b>	<b>bar</b>
Minimum differential pressure <sup>(1)</sup>	0.2	mbar
Minimum dial division	0.002	ltr
Maximum indication value <sup>(2)</sup>	9,999,999.9	ltr
Connection gas in/outlet	hose barb	
Inside-Ø hose barb	10.6	mm
Outside-Ø hose barb	15	mm

<sup>(1)</sup> Differential pressure (= pressure loss) gas inlet gas outlet

<sup>(2)</sup> Standard Totalizing Roller Counter

## Models (materials)

Model	Casing	Measuring drum	Width	Height	Depth	Weight (without packing liquid)	Max. constant use temperature
1	Stainless Steel	PVC-grey	300 m m	350 m m	305 m m	13.3 kg	40 °C
2	Stainless Steel	PE-el	300 m m	350 m m	305 m m	13.2 kg	60 °C
3	Stainless Steel	PP-grey	300 m m	350 m m	305 m m	13.2 kg	60 °C
4	Stainless Steel	PVDF	300 m m	350 m m	305 m m	13.5 kg	60 °C

## Caution

**Before and after measurements with oxygen purge the meter with an inert gas to avoid the danger of explosion!**

**For chemical resistance properties please contact your RITTER distribution partner!**

## Standard Equipment

- › Multi-Chamber Measuring Drum
- › Magnetic coupling between measuring drum and counter (for an absolutely liquid-tight casing)
- › 8 or 9-digit Totalizing Roller Counter
- › Large One-needle Dial
- › Supports for Thermometer and Manometer
- › Viton sealing
- › Level and Levelling Feet
- › Bubble level for levelling

## Built-in Options

- › **LCD Display**, resettable, 8-digit (replaces Totalizing Roller Counter)
- › **Pulse Generator**, standard or Ex-proof version (for connecting Electronic Display Unit/Computer)

## Accessories

- › **Software »RIGAMO«**
- › Resistance Temperature Sensor (Gas), 100 mm
- › Resistance Temperature Sensor (Packing Liquid), 200 mm
- › Pressure Transmitter
- › **Electronic Display Unit »EDU 32 FP«**, displays volume and calculates flow rate via RS232 and analog-output in realtime (pulse generator required)

V 1.2 / Rev. 2024-02-07 / Subject to alterations.

The most recent version of this data-sheet can be found at ...

<https://www.ritter.de/en/tg-05-stainless-steel-6-bar/>

Dr.-Ing. RITTER Apparatebau GmbH & Co. KG · Coloniastrasse 19-23 · D-44892 Bochum · Germany

For questions please contact [mailbox@ritter.de](mailto:mailbox@ritter.de) or your local distribution partner ([on our overview page](#))