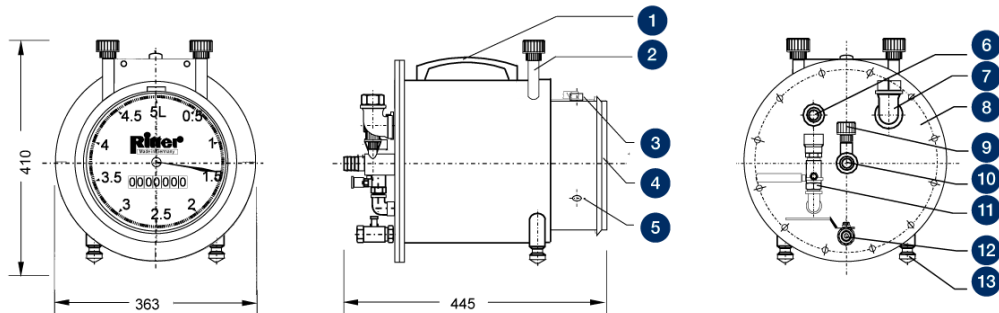


# TG 5 Stainless steel 1 bar

RITTER DATA SHEET



## Technical Drawing



## Legend

1. Handle
2. Support for:
  - > Thermometer (gas)
  - > Thermometer (packing liquid)
  - > Manometer
3. Level
4. Removable cover
5. Puls generator port (option)
6. Gas outlet
7. Filling nozzle
8. Rear plate, detachable
9. Manometer connection
10. Gas inlet
11. Liquid level indicator
12. Drainage faucet
13. Levelling foot

## Performance Data

|   |     |       |
|---|-----|-------|
| Minimum flow $Q_{\min}$                     | 10  | ltr/h |
| Standard flow $Q_{\text{standard}}$         | 500 | ltr/h |
| Maximum flow $Q_{\max}$                     | 600 | ltr/h |
| Measurement accuracy at standard flow       | 0.2 | %     |
| Measurement accuracy across measuring range | 0.5 | %     |
| Measuring drum volume                       | 5   | ltr/U |
| Packing liquid quantity, approx             | 11  | ltr   |

|  |              |             |
|--|--------------|-------------|
| <b>Maximum gas inlet pressure</b>            | <b>1,000</b> | <b>mbar</b> |
| Minimum differential pressure <sup>(1)</sup> | 0.2          | mbar        |
| Minimum dial division                        | 0.02         | ltr         |
| Maximum indication value <sup>(2)</sup>      | 99,999,999   | ltr         |
| Connection gas in/outlet                     | hose barb    |             |
| Inside-Ø hose barb                           | 10.6         | mm          |
| Outside-Ø hose barb                          | 14           | mm          |

<sup>(1)</sup> Differential pressure (= pressure loss) gas inlet gas outlet

<sup>(2)</sup> Standard Totalizing Roller Counter

## Models (materials)

| Model | Casing          | Measuring drum | Width  | Height | Depth  | Weight<br>(without packing liquid) | Max. constant<br>use temperature |
|-------|-----------------|----------------|--------|--------|--------|------------------------------------|----------------------------------|
| 1     | Stainless Steel | PVC-grey       | 363 mm | 410 mm | 445 mm | 15.0 kg                            | 40 °C                            |
| 2     | Stainless Steel | PE-el          | 363 mm | 410 mm | 445 mm | 14.8 kg                            | 60 °C                            |
| 3     | Stainless Steel | PP-grey        | 363 mm | 410 mm | 445 mm | 14.8 kg                            | 80 °C                            |
| 4     | Stainless Steel | PVDF           | 363 mm | 410 mm | 445 mm | 15.2 kg                            | 80 °C                            |

**Caution:** Before and after measurements with oxygen purge the meter with an inert gas to avoid the danger of explosion! For chemical resistance properties please contact your RITTER distribution partner!

## Standard Equipment

- › Multi-Chamber Measuring Drum
- › Magnetic coupling between measuring drum and counter (for an absolutely liquid-tight casing)
- › 8 or 9-digit Totalizing Roller Counter
- › Large One-needle Dial
- › Supports for Thermometer and Manometer
- › Viton sealing
- › Level and Levelling Feet
- › Bubble level for levelling

## Built-in Options

- › **LCD Display**, resettable, 8-digit (replaces Totalizing Roller Counter)
- › **Pulse Generator**, standard or Ex-proof version (for connecting Electronic Display Unit/Computer)
- › **High Precision Packing Liquid Level Indicator »HPLI«**, for packing liquid level

## Accessories

- › **Software »RIGAMO«**
- › **Thermometer Gas (TG)**, measuring range 0 °C to +60 °C
- › **Thermometer Packing Liquid (TG)**, measuring range 0 °C to +60 °C
- › **Manometer for pressure  $p_{max} \leq 1 \text{ bar}$** , measuring range 0-1 bar
- › **Electronic Display Unit »EDU 32 FP«**, displays volume and calculates flow rate via RS232 and analog-output in realtime (pulse generator required)

V 3.0 / Rev. 2024-02-07 / Subject to alterations.

The most recent version of this data-sheet can be found at ...

<https://www.ritter.de/en/tg-5-stainless-steel-1-bar/>

Dr.-Ing. RITTER Apparatebau GmbH & Co. KG · Coloniastrasse 19-23 · D-44892 Bochum · Germany

For questions please contact [mailbox@ritter.de](mailto:mailbox@ritter.de) or your local distribution partner ([on our overview page](#))