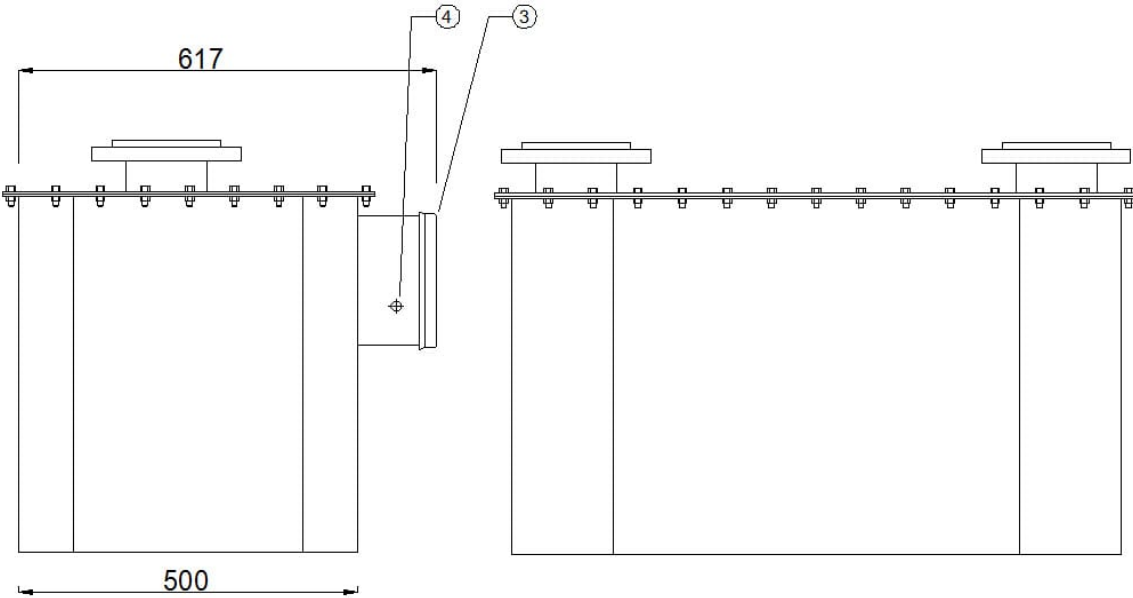
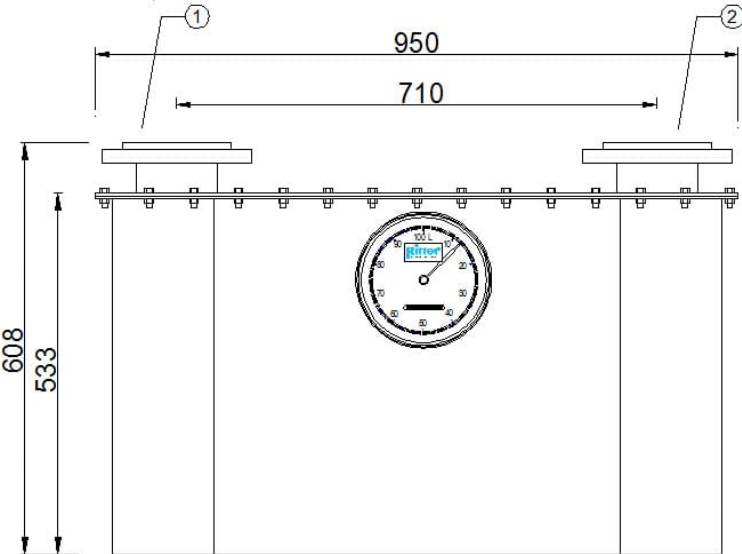


# RITTER Bellows-type Gas Meter BG 100

RITTER DATA SHEET / BELLOWS-TYPE GAS METERS



## Legend

1. Gas inlet
2. Gas outlet
3. Removable cover
4. Pulse generator port (option)

## Performance Data

Minimum flow $Q_{\min}$	1,000	ltr/h
Standard flow $Q_{\text{standard}}$	95,000	ltr/h
Maximum flow $Q_{\max}$	160,000	ltr/h
Measurement accuracy <sup>(2)</sup>	2	%
Measuring cavity capacity	120	ltr/U
Temperature range	-20 to +50	°C

<b>Maximum gas inlet pressure</b>	<b>500</b>	<b>mbar</b>
Minimum differential pressure <sup>(1)</sup>	1	mbar
Minimum dial division	0.4	ltr
Indication dial plate	100	ltr
Maximum indication value <sup>(3)</sup>	999,999,990	ltr
Weight	130	kg

- > <sup>(1)</sup> Differential pressure (= pressure loss) gas inlet gas outlet
- > <sup>(2)</sup> Across the measuring range in relation to the calibration value at nominal flow
- > <sup>(3)</sup> Standard Totalizing Roller Counter

**No reverse flow direction possible!**

## Models (materials)

- › Casing: zinc-coated steel sheet (soldered) with outside also lacquered
- › Measuring unit: Tinplate
- › Bellows (within measuring unit): textile-reinforced nitrile rubber (Perbunan®)
- › Rod linkage: Polyamide
- › Slide gate: Bakelite

## Standard Equipment

- › 8 or 9-digit Totalizing Roller Counter
- › Flange connection, diameter 100 mm, according to DIN 2642-PN10
- › Large, One-needle Dial
- › Magnetic Coupling (between the measuring drum and counting mechanism)
- › Twin-Chamber Measuring Unit

## Built-in Options

- › **LCD Display** , resettable, 8-digit (replaces Totalizing Roller Counter)
- › **Pulse Generator** , standard or Ex-proof version (for connecting Electronic Display Unit/Computer)

## Accessories

- › **Thermometer (BG)**
- › **Manometer for pressure  $p_{max} = 60$  mbar**
- › **Electronic Display Unit »EDU 32 FP«** , displays volume and calculates flow rate via RS232 and analog-output in realtime (pulse generator required)
- › Nozzles for flexible tube connection

V 3.0 / Rev. 2023-05-24 / Subject to alterations.

The most recent version of this data-sheet can be found at ...

<https://www.ritter.de/en/bg-100/>

Dr.-Ing. RITTER Apparatebau GmbH & Co. KG · Coloniastrasse 19-23 · D-44892 Bochum · Germany

For questions please contact [mailbox@ritter.de](mailto:mailbox@ritter.de) or your local distribution partner ([on our overview page](#))