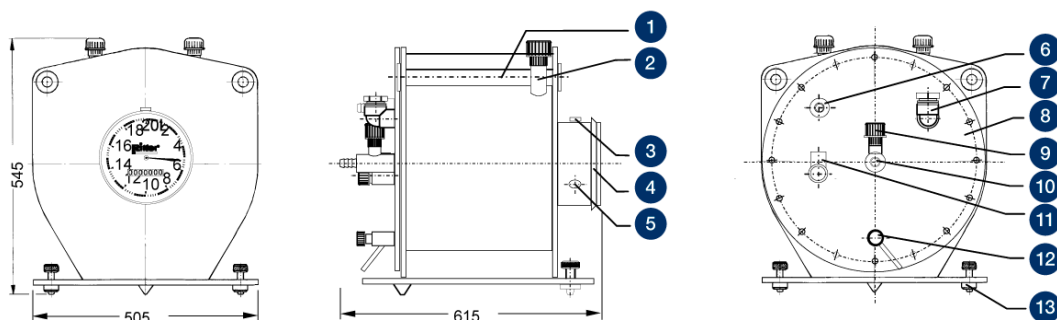


# DRUM-TYPE GAS METERS TG 20 PLASTIC • DATA-SHEET



## Legend

+

1. Handle
2. Support unit for:
  - Thermometer (gas)
  - Thermometer (packing liquid)
  - Manometer
3. Level
4. Removable cover
5. Pulse generator port (option)
6. Gas outlet
7. Filling nozzle
8. Removable rear plate
9. Manometer connection
10. Gas inlet
11. Filling level indicator
12. Drainage faucet
13. Levelling foot

## Performance Data

Minimum flow $Q_{\min}$	40 ltr/h	<b>Maximum gas inlet pressure</b>	<b>50 mbar</b>
Standard flow $Q_{\text{standard}}$	3,200 ltr/h	Minimum differential pressure <sup>(1)</sup>	0.1 mbar
Maximum flow $Q_{\max}$	4,000 ltr/h	Minimum dial division	0.2 ltr
Measurement accuracy at standard flow	± 0.2 %	Maximum indication value <sup>(2)</sup>	999,999,990 ltr
Measurement accuracy across measuring range	± 0.5 %	Connection gas in/outlet	hose barb
Measuring drum volume	20 ltr/U	Inside-Ø hose barb	
		Outside-Ø hose barb	25 mm
Packing liquid quantity, approx	28.5 ltr		

<sup>(1)</sup> Differential pressure (= pressure loss) gas inlet gas outlet

<sup>(2)</sup> Standard Totalizing Roller Counter

## Models (materials)

Model	Casing	Measuring drum	Width	Height	Depth	Weight (without packing liquid)	Max. constant use temperature
5	PVC-transparent	PVC-grey	505 mm	545 mm	615 mm	18.0 kg	40 °C
6	PP-grey	PP-grey	505 mm	545 mm	615 mm	13.4 kg	80 °C
7	PVDF	PVDF	505 mm	545 mm	615 mm	23.2 kg	80 °C
8	PE-el	PE-el	505 mm	545 mm	615 mm	13.4 kg	60 °C

## Caution

Before and after measurements with **oxygen** purge the meter with an inert gas to avoid the danger of **explosion!**

For chemical resistance properties please contact your RITTER distribution partner!

## Standard Equipment

- > 8-digit Totalizing Roller Counter
- > Bubble level for levelling
- > Level and Levelling Feet
- > Magnetic Coupling (between the measuring drum and counting mechanism) , for an absolutely liquid-tight casing
- > Multi-Chamber Measuring Drum
- > Supports for Thermometer and Manometer
- > Viton sealing

## Built-in Options

- > Pulse Generator , standard or Ex-proof version (for connecting Electronic Display Unit/Computer)
- > LCD Display , resettable, 8-digit (replaces Totalizing Roller Counter)
- > High Precision Packing Liquid Level Indicator »HPLI« , for packing liquid level

## Accessories

- > Data Acquisition Software »RIGAMO« , (for Windows)
- > Thermometer Gas (TG) , measuring range 0 °C to +60 °C
- > Thermometer Packing Liquid (TG) , measuring range 0 °C to +60 °C
- > Manometer for pressure  $p_{max} \leq 50$  mbar , measuring range 0-10 / 0-20 / 0-50 mbar
- > Electronic Display Unit »EDU 32 FP« , displays volume and calculates flow rate via RS232 and analog-output in realtime (pulse generator required)

V 2.1 / Rev. 2019-01-11 / Subject to alterations.

The most recent version of this data-sheet can be found at <https://www.ritter.de/en/data-sheets/tg-20-plastic/>

Dr.-Ing. RITTER Apparatebau GmbH & Co. KG · Coloniastrasse 19-23 · D-44892 Bochum · Germany

For questions please contact [mailbox@ritter.de](mailto:mailbox@ritter.de) or your any local distributor at <https://www.ritter.de/en/worldwide/>