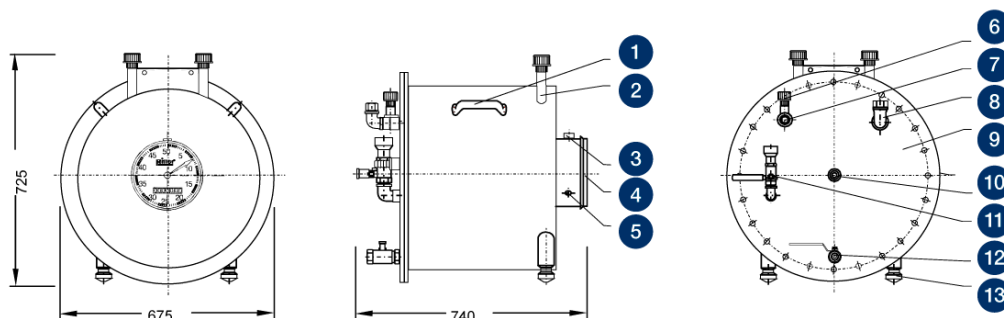


DRUM-TYPE GAS METERS

TG 50 STAINLESS STEEL 1 BAR • DATA-SHEET



Legend

+

- | | | |
|--------------------|---|--|
| 1. Handle | 2. Support unit for:
Thermometer
gas
Thermometer
packing
liquid
Manometer | 3. Level
4. Removable cover
5. Pulse generator port (option) |
| 10. Gas outlet | 11. Filling level indicator | 6. Manometer connection
7. Gas inlet
8. Filling nozzle
9. Removable rear plate
12. Drainage faucet |
| 13. Levelling foot | | |

Performance Data

Minimum flow Q_{\min}	100 ltr/h	Maximum gas inlet pressure	1 bar
Standard flow Q_{standard}	10,000 ltr/h	Minimum differential pressure ⁽²⁾	0.1 mbar
Maximum flow Q_{\max}	18,000 ltr/h	Minimum dial division	0.5 ltr
Measurement accuracy at standard flow	0.2 %	Maximum indication value ⁽³⁾	999,999,990 ltr
Measurement accuracy across measuring range	0.5 %	Connection gas in/outlet	hose barb
Measuring drum volume	50 ltr/U	Inside-Ø hose barb	
Packing liquid quantity, approx	88 ltr	Outside-Ø hose barb	40 mm

⁽²⁾ Differential pressure (= pressure loss) gas inlet gas outlet

⁽³⁾ Standard Totalizing Roller Counter

Models (materials)

Model	Casing	Measuring drum	Width	Height	Depth	Weight (without packing liquid)	Max. constant use temperature
1	Stainless Steel	PVC-grey	675 mm	725 mm	740 mm	65.5 kg	40 °C
2	Stainless Steel	PE-el	675 mm	725 mm	740 mm	64.5 kg	60 °C

Model	Casing	Measuring drum	Width	Height	Depth	Weight (without packing liquid)	Max. constant use temperature
3	Stainless Steel	PP-grey	675 mm	725 mm	740 mm	64.5 kg	80 °C
4	Stainless Steel	PVDF	675 mm	725 mm	740 mm	68.7 kg	80 °C

Caution

Before and after measurements with **oxygen** purge the meter with an inert gas to avoid the danger of **explosion!**

For chemical resistance properties please contact your RITTER distribution partner!

Standard Equipment

- > 8-digit Totalizing Roller Counter
- > Bubble level for levelling
- > Level and Levelling Feet
- > Magnetic Coupling (between the measuring drum and counting mechanism) , for an absolutely liquid-tight casing
- > Multi-Chamber Measuring Drum
- > Supports for Thermometer and Manometer
- > Viton sealing

Built-in Options

- > Pulse Generator , standard or Ex-proof version (for connecting Electronic Display Unit/Computer
- > LCD Display , resettable, 8-digit (replaces Totalizing Roller Counter)
- > High Precision Packing Liquid Level Indicator »HPLI«, for packing liquid level

Accessories

- > Data Acquisition Software »RIGAMO«, (for Windows)
- > Thermometer Gas (TG) , measuring range 0 °C to +60 °C
- > Thermometer Packing Liquid (TG) , measuring range 0 °C to +60 °C
- > Manometer for pressure $p_{max} \leq 1$ bar , measuring range 0-600 mbar / 0-1 bar
- > Electronic Display Unit »EDU 32 FP«, displays volume and calculates flow rate via RS232 and analog-output in realtime (pulse generator required)

V 3.2 / Rev. 2019-01-11 / Subject to alterations.

The most recent version of this data-sheet can be found at <https://www.ritter.de/en/data-sheets/tg-50-stainless-steel/>

Dr.-Ing. RITTER Apparatebau GmbH & Co. KG · Coloniastrasse 19-23 · D-44892 Bochum · Germany

For questions please contact mailbox@ritter.de or your any local distributor at <https://www.ritter.de/en/worldwide/>