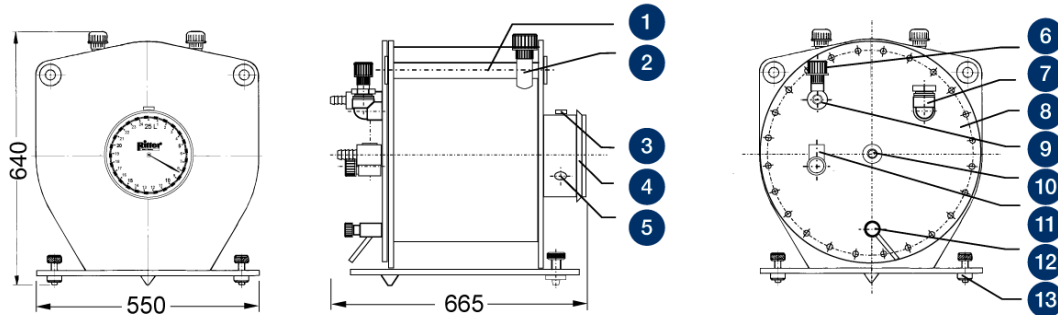


DRUM-TYPE GAS METERS
TG 25 PLASTIC • DATA-SHEET



Legend +

- | | | |
|--|--|---|
| <p>1. Handle</p> <p>10. Gas outlet</p> <p>13. Levelling foot</p> | <p>2. Support unit for:</p> <p style="padding-left: 20px;">Thermometer
gas</p> <p style="padding-left: 20px;">Thermometer
packing
liquid</p> <p style="padding-left: 20px;">Manometer</p> <p>11. Filling level indicator</p> | <p>3. Level</p> <p>4. Removable cover</p> <p>5. Pulse generator port (option)</p> <p>6. Manometer connection</p> <p>7. Filling nozzle</p> <p>8. Removable rear plate</p> <p>9. Gas inlet</p> <p>12. Drainage faucet</p> |
|--|--|---|

Performance Data

Minimum flow Q_{min}	50 ltr/h	Maximum gas inlet pressure	50 mbar
Standard flow $Q_{standard}$	5,000 ltr/h	Minimum differential pressure ⁽¹⁾	0.1 mbar
Maximum flow Q_{max}	7,000 ltr/h	Minimum dial division	0.1 ltr
Measurement accuracy at standard flow	± 0.2 %	Maximum indication value ⁽²⁾	999,999,990 ltr
Measurement accuracy across measuring range	± 0.5 %	Connection gas in/outlet	hose barb
Measuring drum volume	25 ltr/U	Inside-Ø hose barb	
Packing liquid quantity, approx	42 ltr	Outside-Ø hose barb	32 mm

⁽¹⁾ Differential pressure (= pressure loss) gas inlet gas outlet

⁽²⁾ Standard Totalizing Roller Counter

Models (materials)

Model	Casing	Measuring drum	Width	Height	Depth	Weight (without packing liquid)	Max. constant use temperature
5	PVC-transparent	PVC-grey	550 mm	640 mm	665 mm	26.7 kg	40 °C
6	PP-grey	PP-grey	550 mm	640 mm	665 mm	19.4 kg	80 °C
7	PVDF	PVDF	550 mm	640 mm	665 mm	34.5 kg	80 °C
8	PE-el	PE-el	550 mm	640 mm	665 mm	19.4 kg	60 °C

Caution

Before and after measurements with **oxygen** purge the meter with an inert gas to avoid the danger of **explosion!**

For chemical resistance properties please contact your RITTER distribution partner!

Standard Equipment

- > 8-digit Totalizing Roller Counter
- > Bubble level for levelling
- > Level and Levelling Feet
- > Magnetic Coupling (between the measuring drum and counting mechanism) , for an absolutely liquid-tight casing
- > Multi-Chamber Measuring Drum
- > Supports for Thermometer and Manometer
- > Viton sealing

Built-in Options

- > Pulse Generator , standard or Ex-proof version (for connecting Electronic Display Unit/Computer)
- > LCD Display , resettable, 8-digit (replaces Totalizing Roller Counter)
- > High Precision Packing Liquid Level Indicator »HPLI« , for packing liquid level

Accessories

- > Data Acquisition Software »RIGAMO« , (for Windows)
- > Thermometer Gas (TG) , measuring range 0 °C to +60 °C
- > Thermometer Packing Liquid (TG) , measuring range 0 °C to +60 °C
- > Manometer for pressure $p_{max} \leq 50$ mbar , measuring range 0-10 / 0-20 / 0-50 mbar
- > Electronic Display Unit »EDU 32 FP« , displays volume and calculates flow rate via RS232 and analog-output in realtime (pulse generator required)

V 3.2 / Rev. 2019-01-11 / Subject to alterations.

The most recent version of this data-sheet can be found at <https://www.ritter.de/en/data-sheets/tg-25-plastic/>

Dr.-Ing. RITTER Apparatebau GmbH & Co. KG · Coloniastrasse 19-23 · D-44892 Bochum · Germany

For questions please contact mailbox@ritter.de or your any local distributor at <https://www.ritter.de/en/worldwide/>