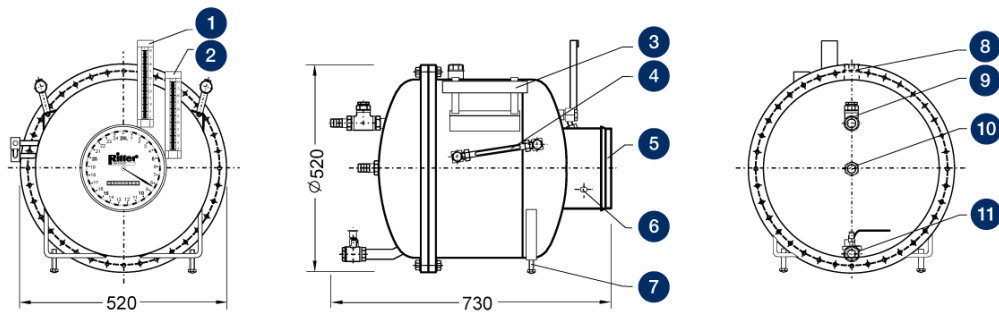


# TG 25 Stainless steel 6 bar

RITTER DATA SHEET



## Legend

1. Thermometer gas (option)
2. Thermometer packing liquid (option)
3. Handle
4. Liquid level indicator
5. Removable cover
6. Pulse generator port (option)
7. Levelling foot
8. Filling nozzle
9. Gas inlet
10. Gas outlet
11. Drainage faucet

## Performance Data

Minimum flow $Q_{\min}$	50	ltr/h
Standard flow $Q_{\text{standard}}$	5,000	ltr/h
Maximum flow $Q_{\max}$	7,000	ltr/h
Measurement accuracy at standard flow	0.2	%
Measurement accuracy across measuring range	0.5	%
Measuring drum volume	25	ltr/U
Packing liquid quantity, approx	42	ltr
<b>Maximum gas inlet pressure</b>	<b>6</b>	<b>bar</b>
Minimum differential pressure <sup>(1)</sup>	0.1	mbar
Minimum dial division	0.2	ltr
Maximum indication value <sup>(2)</sup>	999,999,990	ltr
Connection gas in/outlet	hose barb	
Inside-Ø hose barb	17.2	mm
Outside-Ø hose barb	25	mm

<sup>(1)</sup> Differential pressure (= pressure loss) gas inlet gas outlet

<sup>(2)</sup> Standard Totalizing Roller Counter

## Models (materials)

Model	Casing	Measuring drum	Width	Height	Depth	Weight (without packing liquid)	Max. constant use temperature
1	Stainless Steel	PVC-grey	520 mm	520 mm	730 mm	53.0 kg	40 °C
2	Stainless Steel	PE-el	520 mm	520 mm	730 mm	52.5 kg	60 °C
3	Stainless Steel	PP-grey	520 mm	520 mm	730 mm	52.5 kg	60 °C
4	Stainless Steel	PVDF	520 mm	520 mm	730 mm	54.6 kg	60 °C

## Caution

**Before and after measurements with oxygen purge the meter with an inert gas to avoid the danger of explosion!**

**For chemical resistance properties please contact your RITTER distribution partner!**

## Standard Equipment

- > Multi-Chamber Measuring Drum
- > Magnetic coupling between measuring drum and counter (for an absolutely liquid-tight casing)
- > 8 or 9-digit Totalizing Roller Counter
- > Large One-needle Dial
- > Supports for Thermometer and Manometer
- > Viton sealing
- > Level and Levelling Feet
- > Bubble level for levelling

## Built-in Options

- > **LCD Display**, resettable, 8-digit (replaces Totalizing Roller Counter)
- > **Pulse Generator**, standard or Ex-proof version (for connecting Electronic Display Unit/Computer)

## Accessories

- > **Software »RIGAMO«**
- > Resistance Temperature Sensor (Gas), 100 mm
- > Resistance Temperature Sensor (Packing Liquid), 200 mm
- > Pressure Transmitter
- > **Electronic Display Unit »EDU 32 FP«**, displays volume and calculates flow rate via RS232 and analog-output in realtime (pulse generator required)

V 1.0 / Rev. 2024-02-07 / Subject to alterations.

The most recent version of this data-sheet can be found at ...

<https://www.ritter.de/en/tg-25-stainless-steel-6-bar/>

Dr.-Ing. RITTER Apparatebau GmbH & Co. KG · Coloniastrasse 19-23 · D-44892 Bochum · Germany

For questions please contact [mailbox@ritter.de](mailto:mailbox@ritter.de) or your local distribution partner ([on our overview page](#))