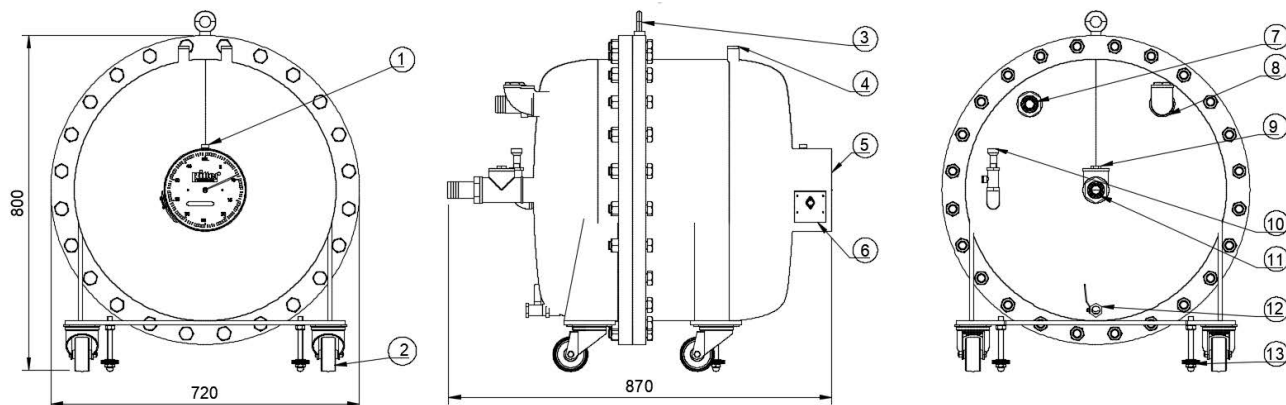


DRUM-TYPE GAS METERS

TG 50 STAINLESS STEEL 6 BAR • DATA-SHEET



Legend

- | | | |
|------------------------------------|--------------------|----------------------------------|
| 1. Level | 2. Transport roll | 3. Eye screw |
| 4. Support for thermometer G 1/2 i | 5. Removable cover | 6. Pulse generator port (option) |
| 7. Gas outlet | 8. Filling nozzle | 9. Support for manometer G 3/8 i |
| 10. Packing liquid level indicator | 11. Gas inlet | 12. Drainage faucet |
| 13. Leveling foot | | |

Performance Data

Minimum flow Q_{min}	100 ltr/h	Maximum gas inlet pressure ⁽¹⁾	6 bar
Standard flow $Q_{standard}$	10,000 ltr/h	Minimum differential pressure ⁽²⁾	0.1 mbar
Maximum flow Q_{max}	18,000 ltr/h	Minimum dial division	0.5 ltr
Measurement accuracy at standard flow	0.2 %	Maximum indication value ⁽³⁾	999,999,990 ltr
Measurement accuracy across measuring range	0.5 %	Connection gas in/outlet	hose barb
Measuring drum volume	50 ltr/U	Inside-Ø hose barb	31 mm
Packing liquid quantity, approx	87 ltr	Outside-Ø hose barb	40 mm

⁽¹⁾ Standard version: 500 mbar – special version also available for 1 bar

⁽²⁾ Differential pressure (= pressure loss) gas inlet gas outlet

⁽³⁾ Standard Totalizing Roller Counter

Models (materials)

Model	Casing	Measuring drum	Width	Height	Depth	Weight (without packing liquid)	Max. constant use temperature
1	Stainless Steel	PVC-grey	655 mm	800 mm	870 mm	177.9 kg	40 °C
2	Stainless Steel	PE-el	655 mm	800 mm	870 mm	176.9 kg	60 °C

Model	Casing	Measuring drum	Width	Height	Depth	Weight (without packing liquid)	Max. constant use temperature
3	Stainless Steel	PP-grey	655 mm	800 mm	870 mm	176.9 kg	80 °C
4	Stainless Steel	PVDF	655 mm	800 mm	870 mm	181.1 kg	80 °C

Caution

Before and after measurements with **oxygen** purge the meter with an inert gas to avoid the danger of **explosion!**

For chemical resistance properties please contact your RITTER distribution partner!

Standard Equipment

- > 9-digit Totalizing Roller Counter
- > Bubble level for levelling
- > Level and Levelling Feet
- > Magnetic Coupling (between the measuring drum and counting mechanism) , for an absolutely liquid-tight casing
- > Multi-Chamber Measuring Drum
- > Supports for Thermometer and Manometer
- > Viton sealing

Built-in Options

- > Pulse Generator , standard or Ex-proof version (for connecting Electronic Display Unit/Computer
- > LCD Display , resettable, 8-digit (replaces Totalizing Roller Counter)
- > High Precision Packing Liquid Level Indicator »HPLI« , for packing liquid level

Accessories

- > Data Acquisition Software »RIGAMO« , (for Windows)
- > Thermometer Gas (TG) , measuring range 0 °C to +60 °C
- > Thermometer Packing Liquid (TG) , measuring range 0 °C to +60 °C
- > Manometer for pressure $p_{max} \leq 1$ bar , measuring range 0-600 mbar / 0-1 bar
- > Electronic Display Unit »EDU 32 FP« , displays volume and calculates flow rate via RS232 and analog-output in realtime (pulse generator required)

V 1.0 / Rev. 2022-06-30 / Subject to alterations.

The most recent version of this data-sheet can be found at <https://www.ritter.de/en/data-sheets/tg-50-stainless-steel/>

Dr.-Ing. RITTER Apparatebau GmbH & Co. KG · Coloniastrasse 19-23 · D-44892 Bochum · Germany

For questions please contact mailbox@ritter.de or your any local distributor at <https://www.ritter.de/en/worldwide/>