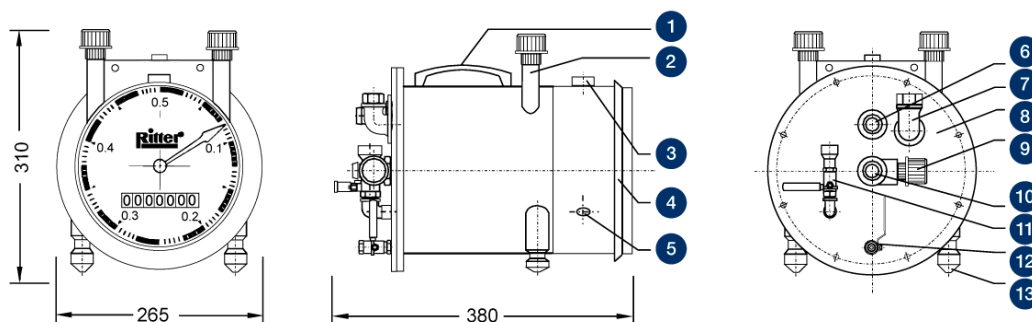


DRUM-TYPE GAS METERS

TG 0.5 STAINLESS STEEL • DATA-SHEET



Legend +

1. Handle
2. Support unit for:
 thermometer (gas)
 thermometer (packing fl.)
 manometer
3. Level
4. Removable cover
5. Pulse generator port (option)
6. Gas outlet
7. Filling nozzle
8. Removable rear plate
9. Manometer connection
10. Gas inlet
11. Filling level indicator
12. Drainage faucet
13. Levelling foot

Performance Data

Minimum flow Q_{\min}	1 ltr/h	Maximum gas inlet pressure ⁽¹⁾	500 mbar
Standard flow Q_{standard}	50 ltr/h	Minimum differential pressure ⁽²⁾	0.4 mbar
Maximum flow Q_{\max}	60 ltr/h	Minimum dial division	0.002 ltr
Measurement accuracy at standard flow	0.2 %	Maximum indication value ⁽³⁾	99,999,999 ltr
Measurement accuracy across measuring range	0.5 %	Connection gas in/outlet	hose barb
		Inside-Ø hose barb	
Measuring drum volume	0.5 ltr/U	Outside-Ø hose barb	14 mm
Packing liquid quantity, approx	3.5 ltr		

⁽¹⁾ Standard version: 500 mbar – special version also available for 1 bar

⁽²⁾ Differential pressure (= pressure loss) gas inlet gas outlet

⁽³⁾ Standard Totalizing Roller Counter

Models (materials)

Model	Casing	Measuring drum	Width	Height	Depth	Weight (without packing liquid)	Max. constant use temperature
1	Stainless Steel	PVC-grey	265 mm	310 mm	380 mm	8.3 kg	40 °C
2	Stainless Steel	PE-el	265 mm	310 mm	380 mm	8.2 kg	60 °C
3	Stainless Steel	PP-grey	265 mm	310 mm	380 mm	8.2 kg	80 °C
4	Stainless Steel	PVDF	265 mm	310 mm	380 mm	8.5 kg	80 °C

Caution

Before and after measurements with **oxygen** purge the meter with an inert gas to avoid the danger of **explosion!**

For chemical resistance properties please contact your RITTER distribution partner!

Standard Equipment

- > 8-digit Totalizing Roller Counter
- > Bubble level for levelling
- > Level and Levelling Feet
- > Magnetic Coupling (between the measuring drum and counting mechanism) , for an absolutely liquid-tight casing
- > Multi-Chamber Measuring Drum
- > Supports for Thermometer and Manometer
- > Viton sealing

Built-in Options

- > Pulse Generator , standard or Ex-proof version (for connecting Electronic Display Unit/Computer)
- > LCD Display , resettable, 8-digit (replaces Totalizing Roller Counter)
- > High Precision Packing Liquid Level Indicator »HPLI«, for packing liquid level

Accessories

- > Data Acquisition Software »RIGAMO«, (for Windows)
- > Thermometer Gas (TG) , measuring range 0 °C to +60 °C
- > Thermometer Packing Liquid (TG) , measuring range 0 °C to +60 °C
- > Manometer for pressure $p_{max} \leq 1$ bar , measuring range 0-600 mbar / 0-1 bar
- > Electronic Display Unit »EDU 32 FP«, displays volume and calculates flow rate via RS232 and analog-output in realtime (pulse generator required)

V 3.2 / Rev. 2019-01-11 / Subject to alterations.

The most recent version of this data-sheet can be found at <https://www.ritter.de/en/data-sheets/tg-0-5-stainless-steel/>

Dr.-Ing. RITTER Apparatebau GmbH & Co. KG · Coloniastrasse 19-23 · D-44892 Bochum · Germany

For questions please contact mailbox@ritter.de or your any local distributor at <https://www.ritter.de/en/worldwide/>