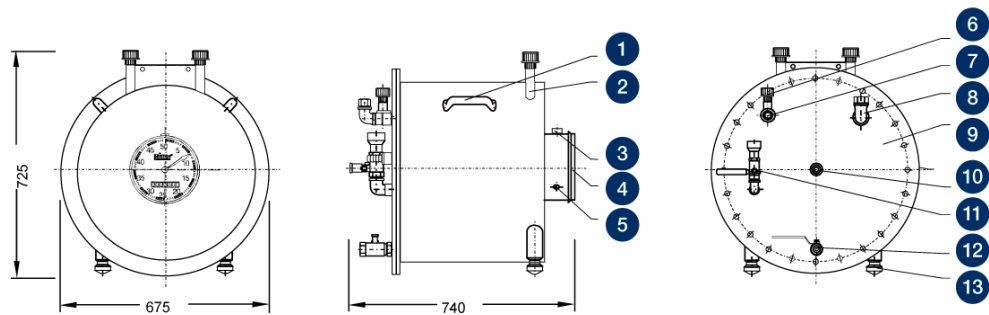


# TG 50 Stainless steel

RITTER DATA SHEET



## Technical Drawing



## Legend

1. Handle
2. Support unit for:
  - > Thermometer gas
  - > Thermometer packing liquid
  - > Manometer
3. Level
4. Removable cover
5. Pulse generator port (option)
6. Manometer connection
7. Gas inlet
8. Filling nozzle
9. Rear plate, detachable
10. Gas outlet
11. Liquid level indicator
12. Drainage faucet
13. Levelling foot

## Performance Data

Minimum flow $Q_{\min}$	100	ltr/h
Standard flow $Q_{\text{standard}}$	10,000	ltr/h
Maximum flow $Q_{\max}$	18,000	ltr/h
Measurement accuracy at standard flow	0.2	%
Measurement accuracy across measuring range	0.5	%
Measuring drum volume	50	ltr/U
Packing liquid quantity, approx	88	ltr
<b>Maximum gas inlet pressure <sup>(1)</sup></b>	<b>500</b>	<b>mbar</b>
Minimum differential pressure <sup>(2)</sup>	0.1	mbar
Minimum dial division	0.5	ltr
Maximum indication value <sup>(3)</sup>	999,999,990	ltr
Connection gas in/outlet	hose barb	
Inside-Ø hose barb	31.8	mm
Outside-Ø hose barb	40	mm

<sup>(1)</sup> Standard version: 500 mbar – special version also available for 1 bar

<sup>(2)</sup> Differential pressure (= pressure loss) gas inlet gas outlet

<sup>(3)</sup> Standard Totalizing Roller Counter

## Models (materials)

Model	Casing	Measuring drum	Width	Height	Depth	Weight (without packing liquid)	Max. constant use temperature
1	Stainless Steel	PVC-grey	675 mm	725 mm	740 mm	65.5 kg	40 °C
2	Stainless Steel	PE-el	675 mm	725 mm	740 mm	64.5 kg	60 °C
3	Stainless Steel	PP-grey	675 mm	725 mm	740 mm	64.5 kg	80 °C
4	Stainless Steel	PVDF	675 mm	725 mm	740 mm	68.7 kg	80 °C

**Caution:** Before and after measurements with oxygen purge the meter with an inert gas to avoid the danger of explosion! For chemical resistance properties please contact your RITTER distribution partner!

## Standard Equipment

- › Multi-Chamber Measuring Drum
- › Magnetic coupling between measuring drum and counter (for an absolutely liquid-tight casing)
- › 8 or 9-digit Totalizing Roller Counter
- › Large One-needle Dial
- › Supports for Thermometer and Manometer
- › Viton sealing
- › Level and Levelling Feet
- › Bubble level for levelling

## Built-in Options

- › **LCD Display**, resettable, 8-digit (replaces Totalizing Roller Counter)
- › **Pulse Generator**, standard or Ex-proof version (for connecting Electronic Display Unit/Computer)
- › **High Precision Packing Liquid Level Indicator »HPLI«**, for packing liquid level

## Accessories

- › **Software »RIGAMO«**
- › **Thermometer Gas (TG)**, measuring range 0 °C to +60 °C
- › **Thermometer Packing Liquid (TG)**, measuring range 0 °C to +60 °C
- › **Manometer for pressure  $p_{max} \leq 1 \text{ bar}$** , measuring range 0-600 mbar
- › **Electronic Display Unit »EDU 32 FP«**, displays volume and calculates flow rate via RS232 and analog-output in realtime (pulse generator required)

V 3.2 / Rev. 2024-02-07 / Subject to alterations.

The most recent version of this data-sheet can be found at ...

<https://www.ritter.de/en/tg-50-stainless-steel/>

Dr.-Ing. RITTER Apparatebau GmbH & Co. KG · Coloniastrasse 19-23 · D-44892 Bochum · Germany

For questions please contact [mailbox@ritter.de](mailto:mailbox@ritter.de) or your local distribution partner ([on our overview page](#))