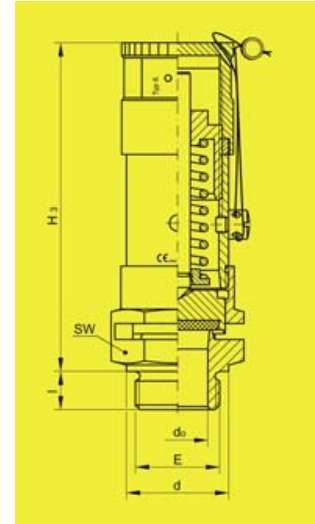


ACCESSORIES

SAFETY VALVE – FREE BLOW-OFF • DATA-SHEET



Suitable for:	RITTER Drum-type Gas Meters and Bellows-type Gas Meters
Gases:	non-toxic
Set pressure:	type 1: 50 mbar type 2: 500 mbar type 3: 1 bar
Maximum flow rate:	see table below
Material:	1.4571 / 1.4301
Function:	spring loaded
Operating temperature: (1)	-60 °C to +130 °C
Installation position:	vertical
Sealing:	Viton



(1) Please mind the temperature range of the gas meter!

	Max. flow rate:		at set pressure of:		
Air (0°C)	27	Nm ³ /h	type 1:	50	mbar
CO ₂ (0°C)	22	Nm ³ /h	type 2:	500	mbar
N (0°C)	50	Nm ³ /h	type 3:	1	bar

Caution: If the pressure will exceed the above-mentioned set pressure, the safety valve will open. However, if the flow rate from the gas source exceeds the above-mentioned max. flow rate, the valve would not be able to vent the meter quickly enough.

This would built-up a pressure inside of the meter and may destroy the gas meter despite of the opened valve!

Inlet		Outlet			Dimensions				Set pressure	Weight
E	d ₀ [mm]	D [mm]	l [mm]	A	H ₃ [mm]	H ₅ [mm]	SW [mm]	d ₀ [mm]	p [bar]	[kg]
G ½	13	26	12	free	103	120	36	13	0.05 / 0,5 / 1	0.4

V 1.0 / Rev. 2019-01-31 / Subject to alterations.

The most recent version of this data-sheet can be found at <https://www.ritter.de/en/data-sheets/safety-valve-free-blow-off/>

Dr.-Ing. RITTER Apparatebau GmbH & Co. KG · Coloniastrasse 19-23 · D-44892 Bochum · Germany

For questions please contact mailbox@ritter.de or your any local distributor at <https://www.ritter.de/en/worldwide/>