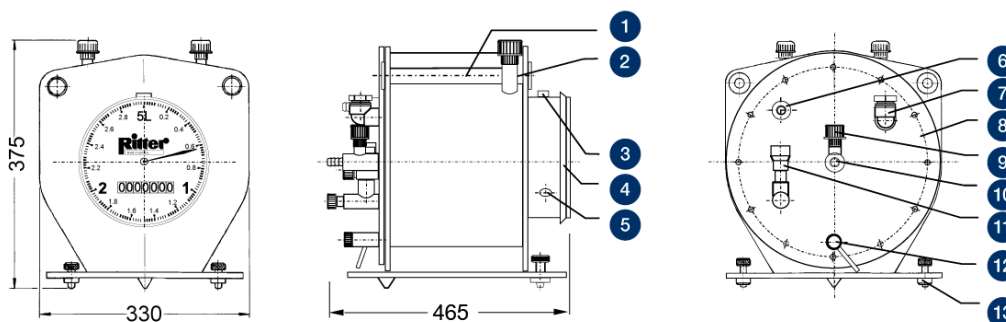


# DRUM-TYPE GAS METERS TG 5 PLASTIC • DATA-SHEET



## Legend

+

1. Handle
2. Support unit for:  
Thermometer (gas)  
Thermometer (packing liquid)  
Manometer
3. Level
4. Removable cover
5. Pulse generator port (option)
6. Gas outlet
7. Filling nozzle
8. Removable rear plate
9. Manometer connection
10. Gas inlet
11. Filling level indicator
12. Drainage faucet
13. Levelling foot

## Performance Data

|   |           |  |                |
|---|-----------|--|----------------|
| Minimum flow $Q_{\min}$                     | 10 ltr/h  | <b>Maximum gas inlet pressure <sup>(1)</sup></b> | <b>50 mbar</b> |
| Standard flow $Q_{\text{standard}}$         | 500 ltr/h | Minimum differential pressure <sup>(2)</sup>     | 0.2 mbar       |
| Maximum flow $Q_{\max}$                     | 600 ltr/h | Minimum dial division                            | 0.02 ltr       |
| Measurement accuracy at standard flow       | ± 0.2 %   | Maximum indication value <sup>(3)</sup>          | 99,999,999 ltr |
| Measurement accuracy across measuring range | ± 0.5 %   | Connection gas in/outlet                         | hose barb      |
|   |           | Inside-Ø hose barb                               |                |
| Measuring drum volume                       | 5 ltr/U   | Outside-Ø hose barb                              | 16 mm          |
| Packing liquid quantity, approx             | 8.5 ltr   |  |                |

<sup>(1)</sup> Standard version: 50 mbar – special versions up to 500 mbar available

<sup>(2)</sup> Differential pressure (= pressure loss) gas inlet gas outlet

<sup>(3)</sup> Standard Totalizing Roller Counter

## Models (materials)

| Model | Casing          | Measuring drum | Width  | Height | Depth  | Weight (without packing liquid) | Max. constant use temperature |
|-------|-----------------|----------------|--------|--------|--------|---------------------------------|-------------------------------|
| 5     | PVC-transparent | PVC-grey       | 330 mm | 375 mm | 465 mm | 7.1 kg                          | 40 °C                         |
| 6     | PP-grey         | PP-grey        | 330 mm | 375 mm | 465 mm | 4.9 kg                          | 80 °C                         |
| 7     | PVDF            | PVDF           | 330 mm | 375 mm | 465 mm | 9.2 kg                          | 80 °C                         |
| 8     | PE-el           | PE-el          | 330 mm | 375 mm | 465 mm | 4.9 kg                          | 60 °C                         |

## Caution

Before and after measurements with **oxygen** purge the meter with an inert gas to avoid the danger of **explosion!**

For chemical resistance properties please contact your RITTER distribution partner!

## Standard Equipment

- > 8-digit Totalizing Roller Counter
- > Bubble level for levelling
- > Level and Levelling Feet
- > Magnetic Coupling (between the measuring drum and counting mechanism) , for an absolutely liquid-tight casing
- > Multi-Chamber Measuring Drum
- > Supports for Thermometer and Manometer
- > Viton sealing

## Built-in Options

- > Pulse Generator , standard or Ex-proof version (for connecting Electronic Display Unit/Computer)
- > LCD Display , resettable, 8-digit (replaces Totalizing Roller Counter)
- > High Precision Packing Liquid Level Indicator »HPLI« , for packing liquid level

## Accessories

- > Data Acquisition Software »RIGAMO« , (for Windows)
- > Thermometer Gas (TG) , measuring range 0 °C to +60 °C
- > Thermometer Packing Liquid (TG) , measuring range 0 °C to +60 °C
- > Manometer for pressure  $p_{max} \leq 50$  mbar , measuring range 0-10 / 0-20 / 0-50 mbar
- > Electronic Display Unit »EDU 32 FP« , displays volume and calculates flow rate via RS232 and analog-output in realtime (pulse generator required)

V 2.2 / Rev. 2019-01-11 / Subject to alterations.

The most recent version of this data-sheet can be found at <https://www.ritter.de/en/data-sheets/tg-5-plastic/>

Dr.-Ing. RITTER Apparatebau GmbH & Co. KG · Coloniastrasse 19-23 · D-44892 Bochum · Germany

For questions please contact [mailbox@ritter.de](mailto:mailbox@ritter.de) or your any local distributor at <https://www.ritter.de/en/worldwide/>