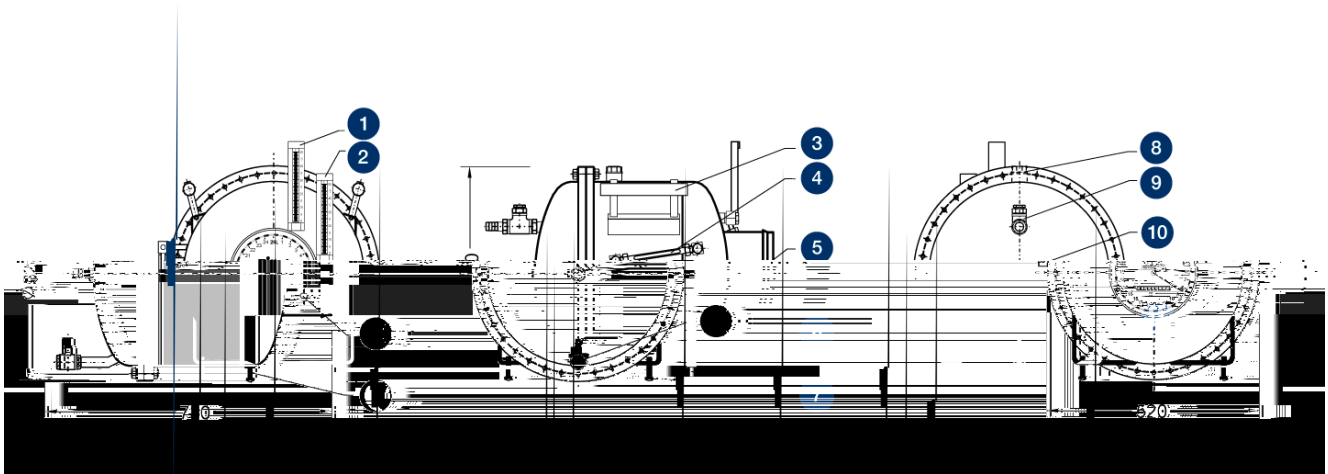


DRUM TYPE GAS METERS
TG STAINLESS STEEL BAR DATA SHEET



Legend

+

The meter gas
Filler liquid
Level gauge
Glass

The meter pack
Removable
Filler
Dial face

Handle
Pressure
Gauge

Performance Data

Minimum flow	Q_{mi}	l/h	Maximum gas inlet pressure	6 bar
Standard flow	Q_{std}	l/h	Minimum differential pressure	mba
Maximum flow	Q_{m}	l/h	Minimum dial diameter	l
Measurement accuracy standard			Maximum dial diameter	l
Measurement accuracy maximum			Casing diameter	h e b a b
Accuracy			Inside diameter	mm
Measurement range		l U	Outside diameter	mm
Packing liquid		l		

Differential pressure level gauge
Standard filling rate

Material

Model	Casing	Measuring drum	Width	Height	Depth	Weight (without packing liquid)	Max. constant use temperature
Saile Seel	PVC ge		mm	mm	mm	kg	C
Saile Seel	PE el		mm	mm	mm	kg	C
Saile Seel	PP ge		mm	mm	mm	kg	C
Saile Seel	PVDF		mm	mm	mm	kg	C

Ca i

Bef ea afe ma eme i h **oxygen** ge heme e i ha i e ga a id he da ge f **explosion**

F chemical e i a ce e ie lea ec ac RITTER di ib i a e

S a ra d E i me

> digi T ali i g R lle C e

> B ble le el f le elli g

> Le e a d Le elli g Fee

> Mag e ic C li g be ee hemea i g d ma d g mech i m f a ab l el li id igh ca i g

> M l i Chambe Mea i g D m

> S f The m me e a d Ma me e

> Vi eali g

B il i O i

> P l e Ge e a a da d E i e i f i c eci g Elec ic Di la U i C m e

> LCD Di la e e aple digi e lace T ali i g R lle C e

> High Paci i Packi g Li id Le el I dica HP I fu acki g li id le el

Acce ie

> Da a Ac i i i S f a e RIGAMO f Wi d

> The m me e Ga TG mea i g a ge C C

> The m me e Packi g Li id TG mea i g a ge C C

> Ma me e F e e ma ba mea i g a ge ba a ailab e f high e e a ge

> Elec ic Di la U i EDU FP di la l mea d calc la e fl a e ia RS a d al g i eal ime l e ge e a e i ed

V Re S bjec al e a i

The m ece e i f hi da a hee ca bef da h i e de e da a hee g ai le eel ba

D I g RITTER A a a eba GmbH & C KG C l ia a e D B ch m Ge ma

F e i lea ec ac mailb .@i e de a l cal di ib a h i e de e l d ide