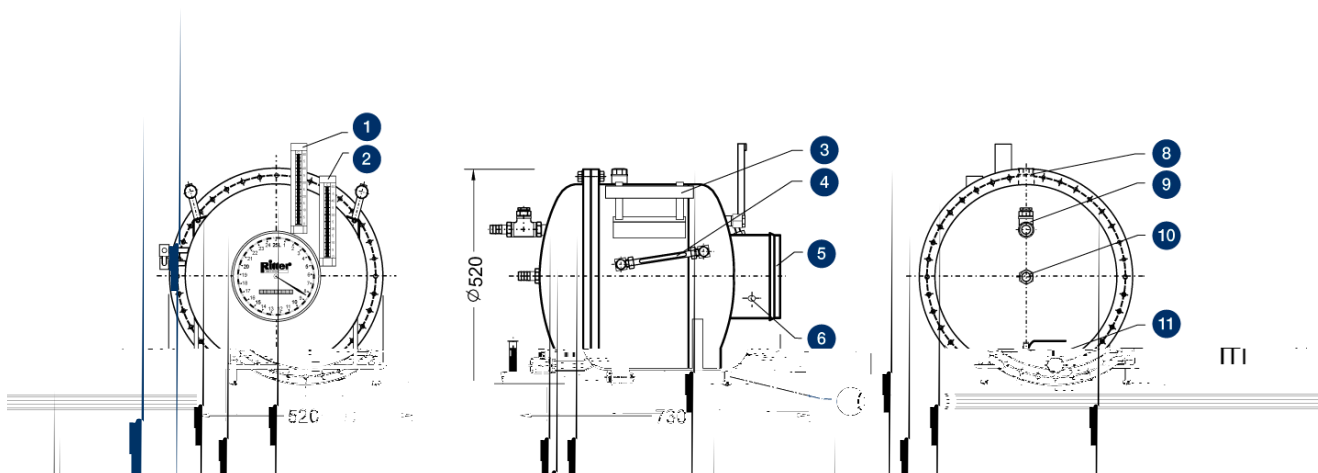


DRUM TYPE GAS METERS
TG STAINLESS STEEL BAR DATA SHEET



Legend +

The measuring
Fillable
Leakage
Gas

The measuring
Removable
Fillable
Dial face

Handle
Pressure
Gauge

Performance Data

Minimum flow	Q _{mi}	l/h	Maximum gas inlet pressure	6 bar
Standard flow	Q _a	l/h	Minimum differential pressure	mba
Maximum flow	Q _m	l/h	Minimum dial diameter	l
Measurement accuracy standard			Maximum dial diameter	l
Measurement accuracy maximum			Case diameter	h e b a b
Measurement interval		l U	Inside diameter	mm
Packing material		l	Outside diameter	mm

Differential pressure
Standard flow rate

Material

Model	Casing	Measuring drum	Width	Height	Depth	Weight (without packing liquid)	Max. constant use temperature
S	Stainless steel	PVC	mm	mm	mm	kg	C
S	Stainless steel	PE	mm	mm	mm	kg	C
S	Stainless steel	PP	mm	mm	mm	kg	C
S	Stainless steel	PVDF	mm	mm	mm	kg	C

Ca i

Bef e a f a f e m a e m e i h **oxygen** g e h e m e e i h a i e g a a i d h e d a g e f **explosion**

F chemical e i a c e e i e l e a e c a c RITTER d i b i i a e

S a r a d E m e

> digi T ali i g R lle C e

> B b l e l e e l f l e e l l i g

> L e e l a d L e e l l i g F e e

> M a g e i c C l i g b e e e h e m e a i g d m a c i g m e c h i m f a a b l e l l i d i g h c a i g

> M l i C h a m b e l M e a u i g D m

> S f i t h e m m e e a d M a m e e

> V i e a l i g

B i l i O i

> P l e G e e a a d a d E i e i f i c e c i g E l e c i c D i l a U i C m e

> L C D D i l a e e a p l e d i g i e l a c e T a l i i g R l l e C e

> H i g h P a c i i P a c k i g L i d L e e l I d i c a H P I f u a c k i g l i d l e e l

A c c e i e

> D a a A c i i i S f a e R I G A M O f W i d

> T h e m m e e G a T G m e a i g a g e C C

> T h e m m e e P a c k i g L i d T G m e a i g a g e C C

> M a m e e F e e m a b a m e a i g a g e b a a a i l a b e f h i g h e e e a g e

> E l e c i c D i l a U i E D U F P d i l a l m e a d c a l c l a e f l a e i a R S a d a l g i e a l i m e l e g e e a e i e d

V Re S bjec a l e a i

The m e c e e i f h i d a a h e e c a b e f d a h i e d e e d a a h e e g a i l e e e l b a

D I g RITTER A a a e b a G m b H & C K G C l i a a e D B c h m G e m a

F e e i l e a e c a c m a i l b . @ i e d e a l c a l d i b a h i e d e e l d i d e