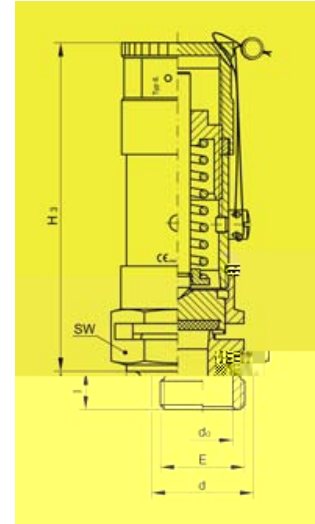


# ACCESSORIES

## SAFETY VALVE – FREE BLOW-OFF • DATA-SHEET



<b>Suitable for:</b>	RITTER Drum-type Gas Meters and Bellows-type Gas Meters
<b>Gases:</b>	<b>non-toxic</b>
<b>Set pressure:</b>	type 1: <b>50 mbar</b> type 2: <b>500 mbar</b> type 3: <b>1 bar</b>
<b>Maximum flow rate:</b>	see table below
<b>Material:</b>	1.4571 / 1.4301
<b>Function:</b>	spring loaded
<b>Operating temperature:</b> (1)	-60 °C to +130 °C
<b>Installation position:</b>	vertical
<b>Sealing:</b>	Viton



(1) Please mind the temperature range of the gas meter!

	<b>Max. flow rate:</b>		<b>at set pressure of:</b>		
Air (0°C)	27	Nm <sup>3</sup> /h	type 1:	50	mbar
CO <sub>2</sub> (0°C)	22	Nm <sup>3</sup> /h	type 2:	500	mbar
N (0°C)	50	Nm <sup>3</sup> /h	type 3:	1	bar

**Caution:** If the pressure will exceed the above-mentioned set pressure, the safety valve will open. However, if the flow rate from the gas source exceeds the above-mentioned max. flow rate, the valve would not be able to vent the meter quickly enough.

**This would built-up a pressure inside of the meter and may destroy the gas meter despite of the opened valve!**

Inlet		Outlet		Dimensions				Set pressure	Weight	
E	d <sub>0</sub> [mm]	D [mm]	l [mm]	A	H <sub>3</sub> [mm]	H <sub>5</sub> [mm]	SW [mm]	d <sub>0</sub> [mm]	p [bar]	[kg]
G ½	13	26	12	free	103	120	36	13	0.05 / 0,5 / 1	0.4

V 1.0 / Rev. 2019-01-31 / Subject to alterations.

The most recent version of this data-sheet can be found at <https://www.ritter.de/en/data-sheets/safety-valve-free-blow-off/>

Dr.-Ing. RITTER Apparatebau GmbH & Co. KG · Coloniastrasse 19-23 · D-44892 Bochum · Germany

For questions please contact mailbox@ritter.de or your any local distributor at <https://www.ritter.de/en/worldwide/>