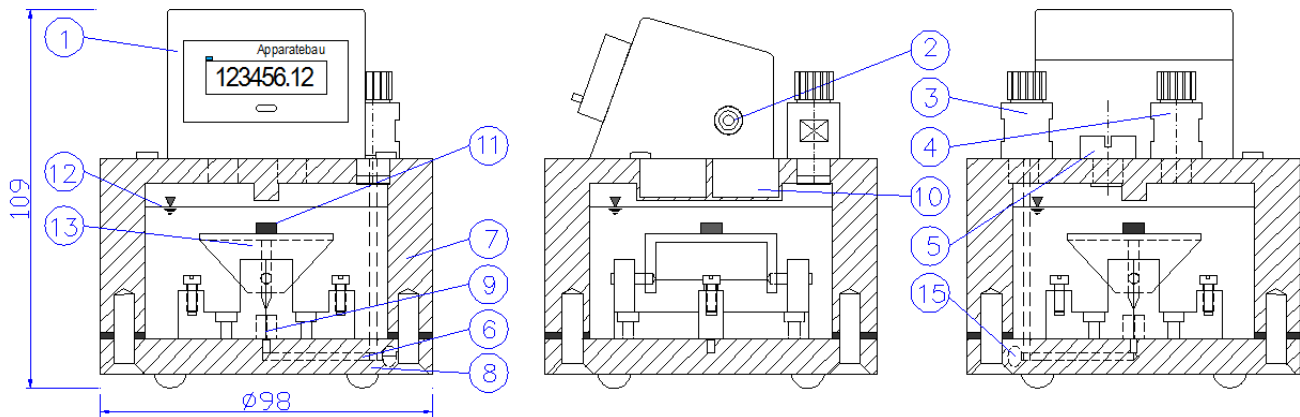


MILLIGASCOUNTER
MILLIGASCOUNTER MGC-1 PVDF • DATA-SHEET



Legend

1. Counter unit with LCD display
2. Signal output socket (reed contact)
3. Gas inlet
4. Gas outlet
5. Screw plug for filling
6. Gas inlet channel
7. Casing
8. Base plate
9. Micro capillary tube
10. Two reed contacts
11. Permanent magnet
12. Packing liquid
13. Measurement cell (tilting body) with twin-chambers
15. Inspection screw gas inlet channel

+

Performance Data

Minimum flow Q_{\min}	1 ml	Maximum gas inlet pressure	100 mbar
Maximum flow Q_{\max}	1 ltr/h	Minimum gas inlet pressure	8 mbar
Measurement accuracy ⁽¹⁾	$\pm 3 \mid \pm 1$ %	Gas inlet pressure at start of measurement ⁽⁵⁾	9 mbar
Measuring drum volume, approx ⁽²⁾	3 ml	Gas Temperature ⁽⁴⁾	10 to 80 °C
Min. measuring volume (resolution) ⁽³⁾	3 ml	Minimum dial division ⁽⁶⁾	0.01 ml
Packing liquid quantity, approx	120 ml	Maximum indication value ⁽⁶⁾	999,999.99 ml
Diameter	98 mm	Connection gas in/outlet	PVDF screw-type tube coupling
Height	109 mm	Outside- \varnothing	6 mm
Weight	600 g	Inside- \varnothing	4 mm

- (1) Because of the physical measurement principle, the measurement error is dependent on the flow rate. The data acquisition software »RIGAMO« (accessory) provides an algorithm, which automatically recalculates the actual measurement data to the real values at the respective actual flow rate on the basis of the calibration curve. Thus, the remaining error can be reduced significantly or the flow rate range can be extended at the constant measurement error of $\pm 3\%$. The remaining error is better than approx. $\pm 1\%$ across the full flow rate range.
- (2) = Nominal value; exact value will be determined by individual calibration
- (3) = Volume of measuring chamber
- (4) For complete MGC unit applies: With temperatures > room temperature (e.g. if placed in heating furnace) a foam formation of the packing liquid was monitored in particular cases.
- (5) The minimum gas inlet may be increased if the measurement starts with a high flow rate. In this case a higher pressure is needed until the micro capillary in the base plate is clear of packing liquid.
- (6) Because of calibration factor with 2 decimals

Materials

- > Casing: Polyvinylidene fluoride (PVDF)
- > Measurement cell: Polyvinylidene fluoride (PVDF)
- > Screw-type tube coupling: Polyvinylidene fluoride (PVDF)

Standard Equipment

- > Twin-chamber measurement cell
- > Pulse Generator V6.0 (Reed Contact) , as signal output (floating output)
- > LCD Display , resettable, 8-digit
- > Level
- > Gas connection hose (PVC), 1.5 m
- > Screw-type tube connection for connection tube:
- > Connection gas inlet/outlet:
- > Funnel , for filling of liquid
- > Packing liquid, 200 ml
- > Syringe , for fine adjustment packing liquid level
- > Cleaning rod for micro capillary , per each 1 to 5 MGC's

Accessories

- > Silox - Packing Liquid for gas mixtures without CO₂
- > HCl solution 1.8 vol% for gas mixtures with CO₂
- > Available quantities: 100 / 200 / 500 / 1,000 / 5,000 ml
- > Data Acquisition Software »RIGAMO« , (for Windows)
- > Gas connecting hose (PVC or PTFE)
- > Filter 0.45 micron for gas inlet tube
- > Back-pressure valve for gas inlet tube

V 3.4 / Rev. 2019-02-20 / Subject to alterations.

The most recent version of this data-sheet can be found at <https://www.ritter.de/en/data-sheets/mgc-pvdf/>

Dr.-Ing. RITTER Apparatebau GmbH & Co. KG · Coloniastrasse 19-23 · D-44892 Bochum · Germany

For questions please contact mailbox@ritter.de or your any local distributor at <https://www.ritter.de/en/worldwide/>