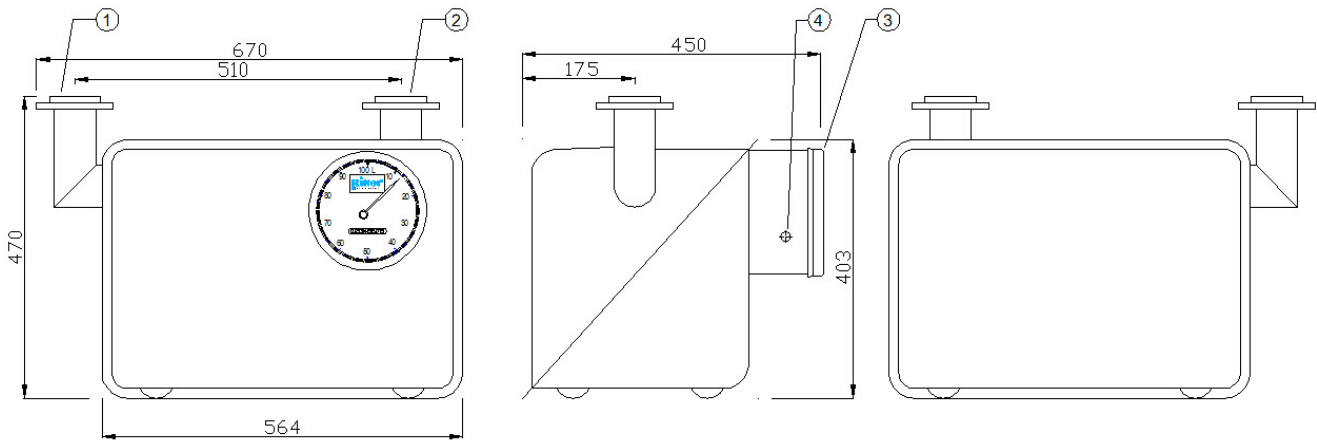


BELLOWS-TYPE GAS METERS BG 40 • DATA-SHEET



Legend

1. Gas inlet
2. Gas outlet
3. Removable cover
4. Pulse generator port (option)
5. Reset button

+

Performance Data

Minimum flow Q_{\min}	400 ltr/h	Maximum gas inlet pressure	500 mbar
Standard flow Q_{standard}	39,000 ltr/h	Minimum differential pressure ⁽¹⁾	1 mbar
Maximum flow Q_{\max}	65,000 ltr/h	Minimum dial division	0.4 ltr
Measurement accuracy ⁽²⁾	2 %	Indication dial plate	100 ltr
Measuring cavity capacity	30 ltr/U	Maximum indication value ⁽³⁾	999,999,990 ltr
Temperature range	5 to 40 °C	Weight	33 kg

⁽¹⁾ Differential pressure (= pressure loss) gas inlet gas outlet

⁽²⁾ Across the measuring range in relation to the calibration value at nominal flow

⁽³⁾ Standard Totalizing Roller Counter

No reverse flow direction possible!

Models (materials)

Casing: zinc-coated steel sheet (soldered) with outside also lacquered

Measuring unit: Tinplate

Bellows (within measuring unit): textile-reinforced nitrile rubber (Perbunan®)

Rod linkage: Polyamide

Slide gate: Bakelite

Standard Equipment

- > 8-digit Totalizing Roller Counter
- > Flange connection, diameter 65 mm, according to DIN 2642-PN10
- > Large, One-needle Dial
- > Magnetic Coupling (between the measuring drum and counting mechanism)
- > Twin-Chamber Measuring Unit

Built-in Options

- > Pulse Generator , standard or Ex-proof version (for connecting Electronic Display Unit/Computer)
- > LCD Display , resettable, 8-digit (replaces Totalizing Roller Counter)

Accessories

- > Thermometer (BG)
- > Manometer for pressure $p_{max} = 60$ mbar
- > Electronic Display Unit »EDU 32 FP«, displays volume and calculates flow rate via RS232 and analog-output in realtime (pulse generator required)
- > Nozzles for flexible tube connection

V 3.0 / Rev. 2018-11-06 / Subject to alterations.

The most recent version of this data-sheet can be found at <https://www.ritter.de/en/data-sheets/bg-40/>

Dr.-Ing. RITTER Apparatebau GmbH & Co. KG · Coloniastrasse 19-23 · D-44892 Bochum · Germany

For questions please contact mailbox@ritter.de or your any local distributor at <https://www.ritter.de/en/worldwide/>