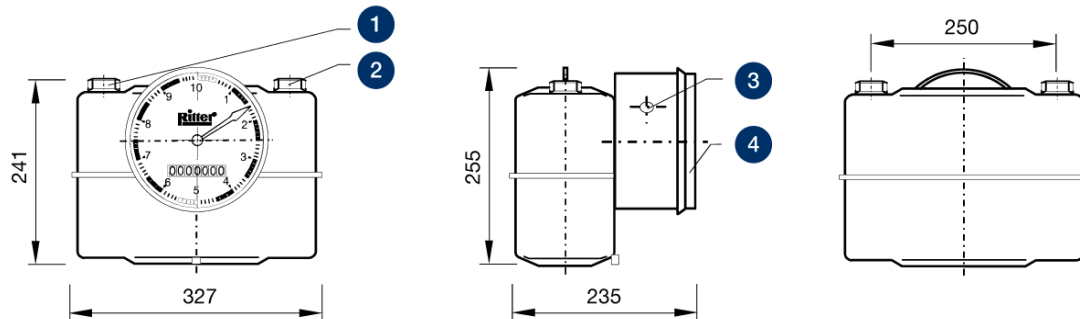


# BELLOWS-TYPE GAS METERS BG 4 • DATA-SHEET



## Legend

- 1. Gas inlet
- 2. Gas outlet
- 3. Pulse generator port (option)
- 4. Removable cover

## Performance Data

Minimum flow $Q_{min}$	40 ltr/h	<b>Maximum gas inlet pressure</b>	<b>300 mbar</b>
Standard flow $Q_{standard}$	3,000 ltr/h	Minimum differential pressure <sup>(1)</sup>	1 mbar
Maximum flow $Q_{max}$	6,000 ltr/h	Minimum dial division	0.1 ltr
Measurement accuracy <sup>(2)</sup>	2 %	Indication dial plate	10 ltr
Measuring cavity capacity	2 ltr/U	Maximum indication value <sup>(3)</sup>	99,999,999 ltr
Temperature range	5 to 40 °C	Weight	4.6 kg

<sup>(1)</sup> Differential pressure (= pressure loss) gas inlet gas outlet

<sup>(2)</sup> Across the measuring range in relation to the calibration value at nominal flow

<sup>(3)</sup> Standard Totalizing Roller Counter

**No reverse flow direction possible!**

## Models (materials)

Casing: zinc-coated steel sheet (soldered) with outside also lacquered

Measuring unit: Tinplate

Bellows (within measuring unit): textile-reinforced nitrile rubber (Perbunan®)

Rod linkage: Polyamide

Slide gate: Bakelite

## Standard Equipment

- > 8-digit Totalizing Roller Counter
- > Large, One-needle Dial
- > Magnetic Coupling (between the measuring drum and counting mechanism)
- > Screw Connection 1" (G 1 A, DIN ISO 228)
- > Twin-Chamber Measuring Unit

## Built-in Options

- > Pulse Generator , standard or Ex-proof version (for connecting Electronic Display Unit/Computer)
- > LCD Display , resettable, 8-digit (replaces Totalizing Roller Counter)

## Accessories

- > Thermometer (BG)
- > Manometer for pressure  $p_{max} = 60$  mbar
- > Electronic Display Unit »EDU 32 FP«, displays volume and calculates flow rate via RS232 and analog-output in realtime (pulse generator required)
- > Nozzles for flexible tube connection

---

V 3.0 / Rev. 2018-11-06 / Subject to alterations.

The most recent version of this data-sheet can be found at <https://www.ritter.de/en/data-sheets/bg-4/>

Dr.-Ing. RITTER Apparatebau GmbH & Co. KG · Coloniastrasse 19-23 · D-44892 Bochum · Germany

For questions please contact [mailbox@ritter.de](mailto:mailbox@ritter.de) or your any local distributor at <https://www.ritter.de/en/worldwide/>