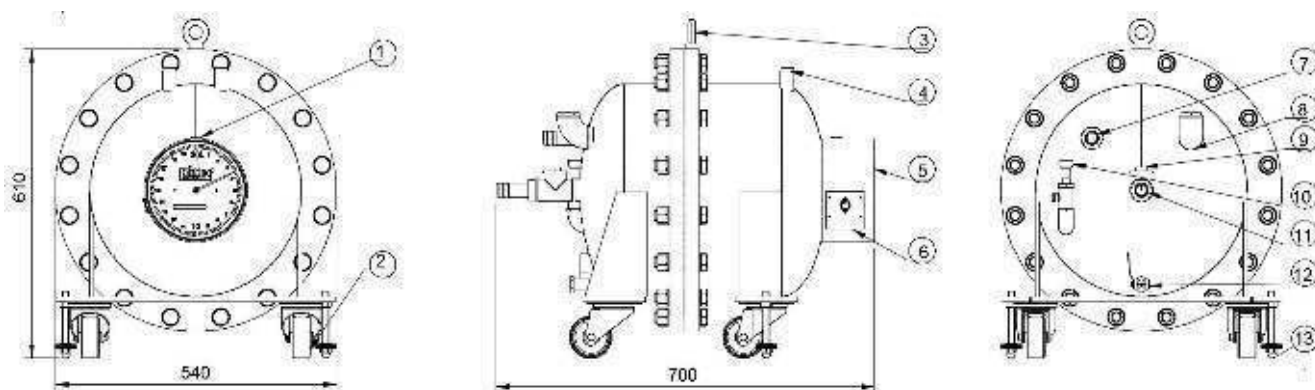


# DRUM-TYPE GAS METERS

## TG 20 STAINLESS STEEL 6 BAR • DATA-SHEET



### Legend

- |                                    |                    |                                  |
|------------------------------------|--------------------|----------------------------------|
| 1. Level                           | 2. Transport roll  | 3. Eye screw                     |
| 4. Support for thermometer G 1/2 i | 5. Removable cover | 6. Pulse generator port (option) |
| 7. Gas outlet                      | 8. Filling nozzle  | 9. Support for manometer G 3/8 i |
| 10. Packing liquid level indicator | 11. Gas inlet      | 12. Drainage faucet              |
| 13. Leveling foot                  |                    |                                  |

### Performance Data

Minimum flow $Q_{\min}$	40 ltr/h	<b>Maximum gas inlet pressure</b>	<b>6 bar</b>
Standard flow $Q_{\text{standard}}$	3,200 ltr/h	Minimum differential pressure <sup>(1)</sup>	0.1 mbar
Maximum flow $Q_{\max}$	4,000 ltr/h	Minimum dial division	0.2 ltr
Measurement accuracy at standard flow	0.2 %	Maximum indication value <sup>(2)</sup>	999,999,990 ltr
Measurement accuracy across measuring range	0.5 %	Connection gas in/outlet	hose barb
Measuring drum volume	20 ltr/U	Inside-Ø hose barb	18 mm
Packing liquid quantity, approx	29 ltr	Outside-Ø	26 mm

<sup>(1)</sup> Differential pressure (= pressure loss) gas inlet gas outlet

<sup>(2)</sup> Standard Totalizing Roller Counter

### Models (materials)

Model	Casing	Measuring drum	Width	Height	Depth	Weight (without packing liquid)	Max. constant use temperature
1	Stainless Steel	PVC-grey	540 mm	610 mm	700 mm	93.9 kg	40 °C
2	Stainless Steel	PE-el	540 mm	610 mm	700 mm	93.5 kg	60 °C
3	Stainless Steel	PP-grey	540 mm	610 mm	700 mm	93.5 kg	60 °C
4	Stainless Steel	PVDF	540 mm	610 mm	700 mm	94.7 kg	60 °C

## Caution

Before and after measurements with **oxygen** purge the meter with an inert gas to avoid the danger of **explosion!**

For chemical resistance properties please contact your RITTER distribution partner!

## Standard Equipment

- > 9-digit Totalizing Roller Counter
- > Bubble level for levelling
- > Level and Levelling Feet
- > Magnetic Coupling (between the measuring drum and counting mechanism) , for an absolutely liquid-tight casing
- > Multi-Chamber Measuring Drum
- > Supports for Thermometer and Manometer
- > Viton sealing

## Built-in Options

- > Pulse Generator , standard or Ex-proof version (for connecting Electronic Display Unit/Computer)
- > LCD Display , resettable, 8-digit (replaces Totalizing Roller Counter)
- > High Precision Packing Liquid Level Indicator »HPLI« , for packing liquid level

## Accessories

- > Data Acquisition Software »RIGAMO« , (for Windows)
- > Thermometer Gas (TG) , measuring range 0 °C to +60 °C
- > Thermometer Packing Liquid (TG) , measuring range 0 °C to +60 °C
- > Manometer for pressure  $p_{max} \leq 10$  bar , measuring range 0-6 / 0-10 bar; available for higher pressure ranges
- > Electronic Display Unit »EDU 32 FP« , displays volume and calculates flow rate via RS232 and analog-output in realtime (pulse generator required)

---

V 1.0 / Rev. 2022-06-30 / Subject to alterations.

The most recent version of this data-sheet can be found at <https://www.ritter.de/en/data-sheets/tg-20-stainless-steel-6-bar/>

Dr.-Ing. RITTER Apparatebau GmbH & Co. KG · Coloniastrasse 19-23 · D-44892 Bochum · Germany

For questions please contact [mailbox@ritter.de](mailto:mailbox@ritter.de) or your any local distributor at <https://www.ritter.de/en/worldwide/>