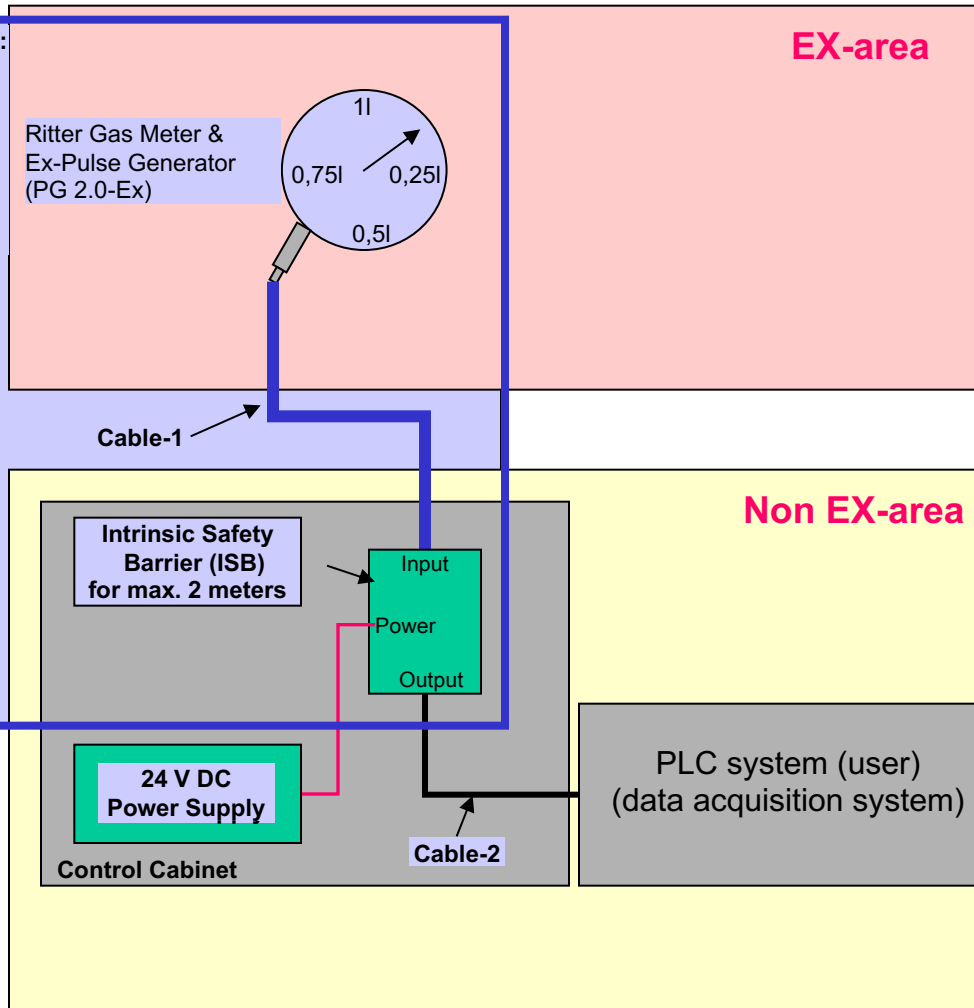


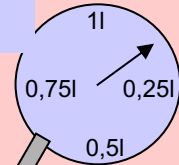
**Scope of supply Ritter:**

- Gas meter
- Pulse Generator
- Intrinsic Safety Barrier (ISB)
- Cable-1
- Cable-2 with open ends at PLC side



- Scope of supply Ritter:**
- Gas meter
  - Pulse Generator
  - Intrinsic Safety Barrier (ISB)
  - 24 V power supply (PS)
  - Casing
  - Cable-1
  - Cable-2 with open ends at PLC side

Ritter Gas Meter & Ex-Pulse Generator (PG 2.0-Ex)



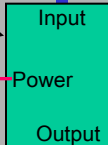
EX-area

Cable-1

Non EX-area

Intrinsic Safety Barrier (ISB) for max. 2 meters

24 V DC Power Supply



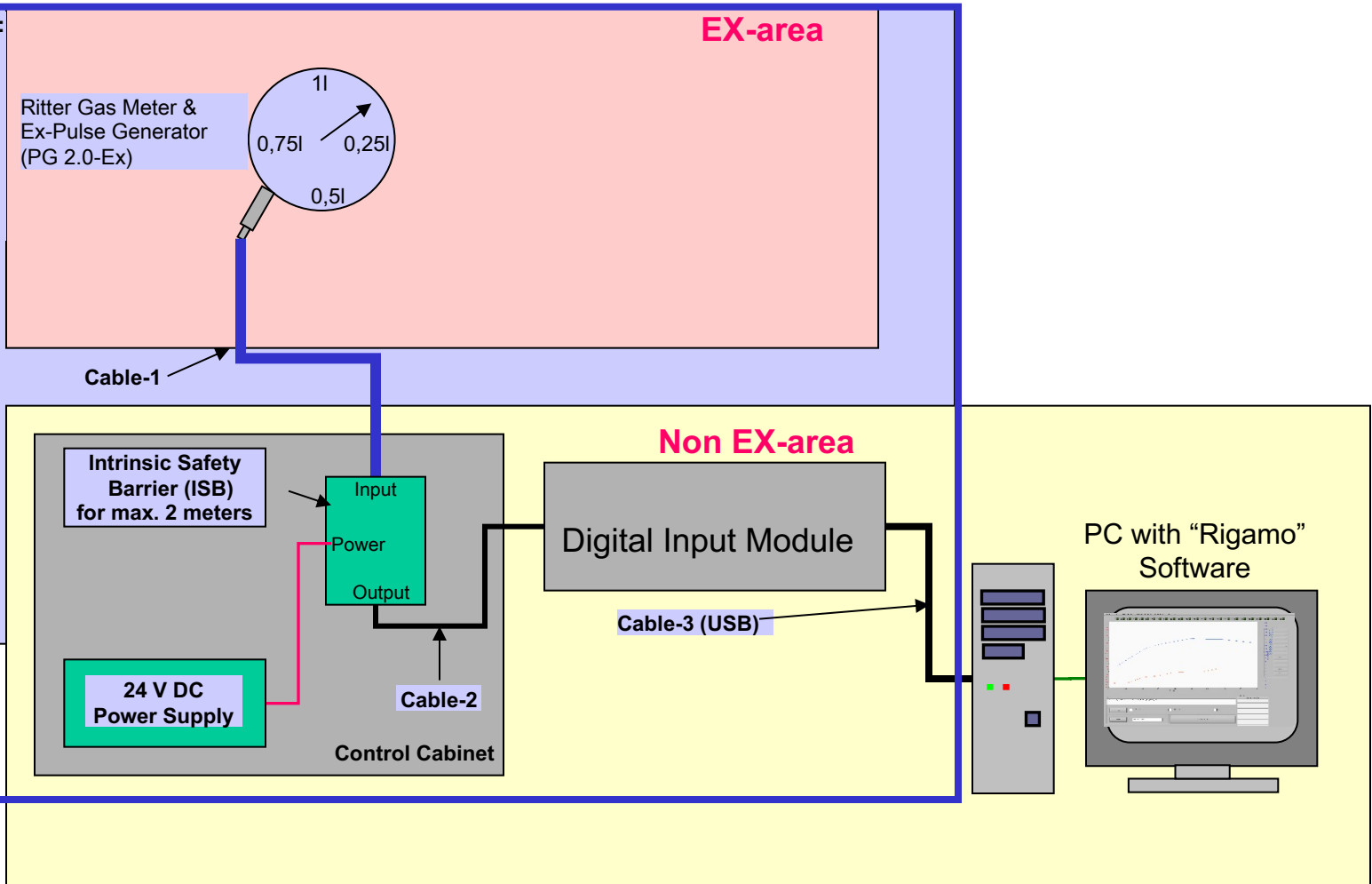
Cable-2

PLC system (user)  
(data acquisition system)

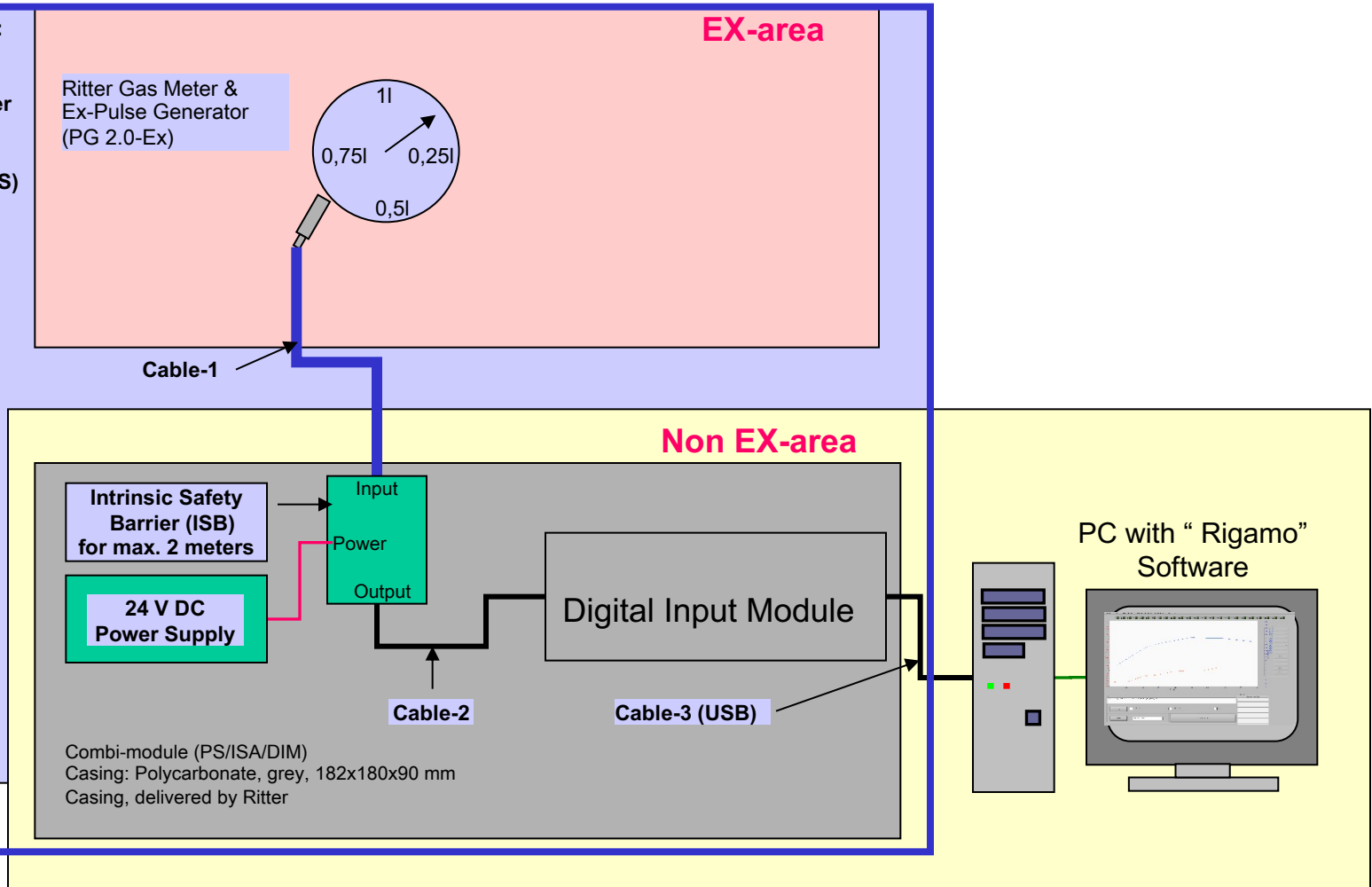
Combi-module (PS/ISA)  
Casing: Polycarbonate, grey, 182x180x90 mm  
Casing, delivered by Ritter

**Scope of supply Ritter:**

- Gas meter
- Pulse Generator
- Intrinsic Safety Barrier (ISB)
- Digital Input Module
- Cable-1
- Cable-2
- Cable-3 (USB)



- Scope of supply Ritter:**
- Gas meter
  - Pulse Generator
  - Intrinsic Safety Barrier (ISB)
  - Casing
  - 24 V power supply (PS)
  - Digital input module
  - Casing
  - Cable-1
  - Cable-2
  - Cable-3 (USB)



**Scope of supply Ritter:**

- Gas meter
- Pulse Generator
- Intrinsic Safety Barrier (ISB)
- 24 V power supply
- Casing
- Cable-1
- Cable-2
- EDU 32-FP

